

● **BLAUPUNKT**

DIGITAL RADIO MODULE  
**DAB'N'PLAY 370**



*Enjoy it.*

User manual



- ① **DISPLAY**
- ② **MODE** button  
Switching between sources
- ③ **PLAY/PAUSE** button  
Answer/end the call - playback/pause the music
- ④ **BUILT-IN MICROPHONE**
- ⑤ **BACK** button  
Previous station/title
- ⑥ **SCAN/FORWARD** button  
Station search – next station/title
- ⑦ **ROTARY KNOB**  
Menu selection – volume, built-in speaker
- ⑧ **USB PORT**  
Power supply
- ⑨ **LINE IN**  
AUX input (AUX-IN)
- ⑩ **LINE OUT**  
AUX output (AUX-OUT) for connecting to the car radio
- ⑪ **DAB AERIAL CONNECTION**

<b>Safety guidelines.....</b>	<b>4</b>
<b>Cleaning guidelines.....</b>	<b>5</b>
<b>Disposal guidelines.....</b>	<b>5</b>
<b>Scope of delivery.....</b>	<b>5</b>
<b>Start-up.....</b>	<b>5</b>
<b>Connecting to the car radio.....</b>	<b>5</b>
Playback via radio frequency.....	5
Playback via cable connection.....	5
<b>Selection of media playback.....</b>	<b>5</b>
DAB+ - digital radio.....	6
Hands-free-/Bluetooth operation.....	6
AUX playback.....	6
<b>Menu functions.....</b>	<b>7</b>
Speaker set-up.....	7
Transmission frequency.....	7
Colour settings.....	7
Language settings.....	7
Default settings.....	7
<b>Fitting the DAB aerial .....</b>	<b>8</b>
<b>Useful information.....</b>	<b>8</b>
Warranty.....	8
Service.....	8

## Safety guidelines

DAB'N'PLAY was manufactured in accordance with the current state of technology and recognised safety standards. Nevertheless, hazards may still occur when the safety guidelines contained in this instruction manual are not followed.

This manual describes the most important functions of the device. Detailed information on the DAB adapter is available online at [www.blaupunkt.de](http://www.blaupunkt.de).

- Please read the manual carefully and thoroughly before using the device.
- Keep the manual in a place that is accessible to all users at all times.
- When the DAB adapter is transferred to a third person, always include this manual.

Also make sure to follow the instructions concerning the devices used in connection with DAB'N'PLAY.

### Symbols used

The following symbols are used in this instruction manual:



**DANGER!**  
Warning against injury



**DANGER!**  
Warning against high volume



The CE marking confirms compliance with EU regulations



Indicates one action step

- Indicates a series of items

### Road safety

Always observe the following road safety guidelines:

- **Use your device in a way that allows you to drive safely at all times.** If in doubt, stop at a suitable place and operate the device when the vehicle is stationary. While you are driving, you may not use the applications that divert your attention from the road.

- **Always use moderate volume settings in order to** protect your hearing and to be able to hear sound warning signals (e.g. the police). The changes in volume settings cannot be heard during mute pauses (e.g. when switching between the audio sources). Do not turn up the volume during mute pauses.

### General safety guidelines

Always observe the following guidelines to protect yourself from injury:

**Do not modify or open the device.**

#### Intended use

The DAB adapter is intended for use in vehicles and must be installed and connected in accordance with the instructions. Do not exceed the performance limits of the device. Repairs or installation should be carried out by a qualified technician.

#### Installation instructions

You may only install the device if you have sufficient experience in connecting electrical devices in vehicles and you are familiar with the vehicle's electrical system. Follow the connection diagram at the end of this instruction manual.

#### Declaration of conformity

Blaupunkt Competence Center Car Multimedia - EVO-SALES GmbH hereby declares that the device complies with the essential requirements and other relevant provisions of Directive 2014/53/EU.

The declaration of conformity is available online at [www.blaupunkt.com](http://www.blaupunkt.com).

### Cleaning guidelines

Solvents, cleaning and abrasive agents as well as cockpit sprays and plastic care products may contain substances that could damage the surface of the device.

The DAB adapter can only be cleaned with a dry or slightly damp cloth.

## Disposal guidelines



The device must not be disposed of together with household waste!

In order to dispose of an old item, use the available waste recycling and collection systems.

## Scope of delivery

The scope of delivery includes:

- DAB adapter
- DAB window mounted aerial
- Cigarette lighter cable
- AUX cable
- Suction cup mount
- Directions for use

## Start-up

- Install DAB'N'PLAY in your car using the suction cup mount, e.g. on the windscreen.
- Connect the aerial cable to the aerial input on the back of the device. The DAB window mounted aerial must be fitted correctly in order to ensure optimum reception (see *Fitting the DAB aerial*)
- Power up the DAB adapter by connecting the supplied cigarette lighter cable to the micro USB port in the device. Insert the cigarette lighter plug into the cigarette lighter.
- Press the encoder knob. The Blaupunkt logo will then appear on the display.

## Connecting to the car radio

There are two ways in which signals (music or speech) can be played back over the car radio

### Playback via radio

DAB'N'PLAY is equipped with a built-in FM transmitter that transmits audio to your car radio.

- Press the **Rotary knob** to display the Main menu
- Turn the knob to select the menu item *"Speaker Set-up"* and confirm by pressing the **Rotary knob**
- Now select *"FM transmission"* and press the **Rotary knob** to confirm.
- Select *"Transmission frequency"* in the Main menu. Then turn the knob to select the desired VHF transmission frequency (e.g. 108.00MHz).

NOTE:

*The selected frequency may not be used by another radio station or a similar device!*

- To confirm the frequency and return to the Main menu, press the **MODE** button
- Next, adjust the selected VHF frequency in your car radio.
- The two devices are now connected.

### Playback via cable connection

If your car radio is provided with a 3.5 mm AUX IN socket, you can connect DAB'N'PLAY using the supplied AUX cable.

- Press the rotary knob to display the Main menu
- Turn the knob to select the menu item *"Speaker setup"* and confirm by pressing the rotary knob
- Make sure that you have selected the menu item *"FM transmission"*
- Connect one end of the supplied cable to the 3.5 mm output in DAB'N'PLAY and the other end to the 3.5 AUX input in the car radio.
- Select *"AUX"* source in your car radio.
- The two devices are now connected.

## Media playback selection

Blaupunkt DAB'N'PLAY enables the listening to or playing music from various sources: digital radio, phone calls, music streaming over mobile phone, as well as playback from external sources over the 3.5mm AUX IN socket.

### DAB+- digital radio

The DAB adapter is provided with a built-in DAB/DAB+ tuner that enables listening to digital radio stations. For this purpose, the DAB adapter must be connected to a suitable aerial (the aerial is supplied with the product).

- Press the **MODE** button until the DAB logo appears on the display.
- Hold down the **SCAN** button for 3 seconds to activate the automatic station tuning. The device is now scanning all available radio stations. The progress will be indicated on a continuous progress bar. As soon as a station is detected, DAB'N'PLAY will play the first station. When no station is detected, the message *"No radio station"* will appear on the display.
- To open a list of stations, press **③** *"Answer/end the call"*.

- ☛ Turn the rotary knob to scroll through the list of stations and press the rotary knob to select a station.

*Hint:*

*You can browse the radio stations using the << and >> buttons without calling up the station list first.*

## Hands-free-/Bluetooth operation

You can use the Bluetooth function to connect DAB'N'PLAY to a mobile phone or a media player. After connecting your mobile phone to the DAB adapter, you can make phone calls using the built-in hands-free function.

If the Bluetooth device supports A2DP and AVRCP functions, you can play music via the device or the car radio and control the playback. During a phone call, the music playback will be interrupted and continued after the call has ended.

When your mobile phone is connected via Bluetooth and a phone call comes in during the playback from a different source, the playback will be interrupted and the call menu will be displayed.

- ☛ Press the **MODE** button to switch to the Bluetooth function.
- ☛ Make sure that Bluetooth mode has been activated in your Bluetooth device.
- ☛ Search for new connections/devices in your Bluetooth device.
- ☛ The DAB adapter will appear on the list of Bluetooth devices as "BP DAB'N'PLAY".
- ☛ Establish connection. When the connection is established, the message "BLUETOOTH connected" will be displayed.

*NOTE:*

*When the phone is connected to the DAB adapter, the Bluetooth icon will show up at the top of the display, whatever the source.*

## Hands-free operation

After connecting your phone to DAB'N'PLAY, you can use the adapter to answer and end phone calls

- ☛ When a call comes in, you will hear the ring tone over the DAB adapter or the car's speakers. At the same time, the caller's phone number will be shown on the display (if this function is supported by your phone).
- ☛ To answer the call, press the **3 Answer/end the call** button. The call duration will now appear on the display.

- ☛ If you want to reject the call, hold down the **3 Answer/end the call** button until the message "End the conversation" is displayed.
- ☛ To end the call, press the **3 Answer/end the call** button

## Audio playback - Bluetooth streaming

When an audio streaming device is connected to DAB'N'PLAY via Bluetooth, you can play music over the car radio and control the playback.

- ☛ Press the **MODE** button to select the Bluetooth function.
- ☛ Start the music playback via Bluetooth in your mobile phone.
- ☛ To pause or play the music, press the **3 PLAY/PAUSE** button.
- ☛ Use the << and >> buttons to scroll up and down through the titles.

## AUX playback

Blaupunkt DAB'N'PLAY is provided with a 3.5 mm AUX input (Line In) for connecting external audio sources.

- ☛ To select the AUX function, press the **MODE** button.
- ☛ Connect the external audio source to the 3.5 mm AUX input on the right side of the DAB adapter.
- ☛ Start playback in your device.

## Menu functions

Adjust the basic settings in the Blaupunkt DAB'N'PLAY menu.

To this end, press the **Rotary knob** to display the Main menu To select a sub-menu, turn the **Rotary knob** and confirm the sub-menu by pressing the knob.

## Speaker set-up

The DAB adapter is fitted with a built-in speaker. To select playback via the built-in speaker, proceed as follows:

- ☛ Turn the **Rotary knob** to select the item "Internal speaker".
- ☛ Press the **Rotary knob** to confirm.
- ☛ To select playback via the car radio, choose the item "FM transmission" and press the knob to confirm.

- ☛ Once you have confirmed your selection, you will automatically return to the Main menu.

### Transmission frequency

The Transmission frequency sub-menu allows you to select the VHF frequency at which your car radio will receive the signal from DAB'N'PLAY.

- ☛ Turn the **Rotary knob** to select the item "Transmission frequency".
- ☛ Press the **Rotary knob** to confirm the choice.
- ☛ Adjust the frequency by turning the **Rotary knob** (e.g. 108.00 MHz).
- ☛ Confirm your selection and press the **MODE** button to return to the Main menu.

*NOTE:*

*The selected frequency may not be used by another radio station or a similar device!*

### Colour settings

You can adjust the colour of your DAB'N'PLAY to suit your vehicle's interior.

- ☛ Turn the **Rotary knob** to select the item "Colour settings".
- ☛ Press the **Rotary knob** to confirm.
- ☛ Turn the **Rotary knob** to select the desired colour scheme.
- ☛ Press the **Rotary knob** to confirm.

### Language settings

The menu "Language settings" enables you to select language.

- ☛ Turn the **Rotary knob** to select the item "Language settings".
- ☛ Press the **Rotary knob** to confirm.
- ☛ Turn the **Rotary knob** to select the desired language.
- ☛ Press the **Rotary knob** to confirm.

### Default settings

You can reset the device to factory settings (default settings).

- ☛ Turn the **Rotary knob** to select the item "Default settings".
- ☛ Press the **Rotary knob** to confirm.
- ☛ Turn the **Rotary knob** to select "YES" or "NO".
- ☛ Press the **Rotary knob** to confirm.

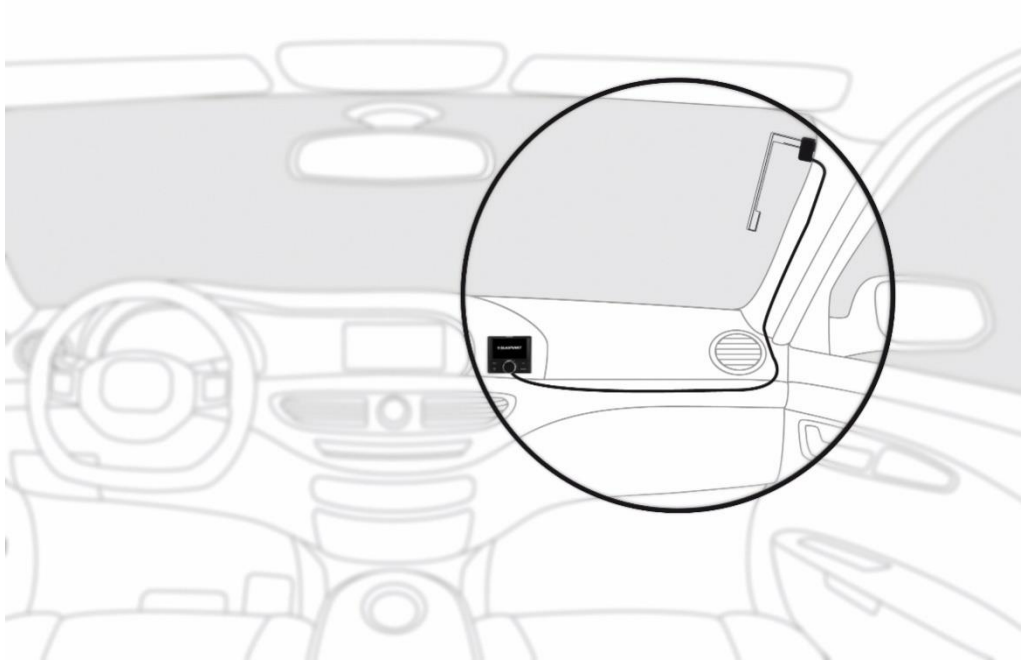
### Software version

Here you can retrieve information about the current software status.

- ☛ Turn the **Rotary knob** to select the item "Software status".
- ☛ Press the **Rotary knob** to confirm.
- ☛ Press the **MODE** button to return to the Main menu.

## Fitting the DAB aerial

In order to ensure the best possible reception, install the window mounted aerial as shown in the diagram.



To this end, place the black electronics box in the immediate proximity of the windscreen frame. Attach the shorter end (copper foil with the black protective foil) to the vehicle's metal frames. Affix the longer, transparent foil vertically to the windscreen frames.

**NOTE:**

*Make sure that the DAB aerial does not obstruct the driver's field of view. The aerial must not cover the heated front screen wiring (if any). The cable must be placed in such a way that it does not impair the driver's capability to operate the vehicle. The installation may not interfere with the proper operation of the airbags.*

## Useful information

### Warranty

We provide a manufacturer's warranty for products purchased within the European Union. For products purchased outside the European Union, the warranty terms issued by our respective competent domestic agencies shall apply. The warranty terms can be retrieved at [www.blaupunkt.com](http://www.blaupunkt.com).

### Service

If repairs are required, you will find information about our service partners in your country at [www.blaupunkt.com](http://www.blaupunkt.com).

We reserve the right to introduce technical modifications.





Blaupunkt Competence Center Car Multimedia  
EVO-SALES GmbH  
Hastenbecker Weg 33  
D-31785 Hameln  
<http://www.blaupunkt.com>