

QUADAXIAL SPEAKER

BGx 1404 N



BGx 1544 N



BGx 1664 N

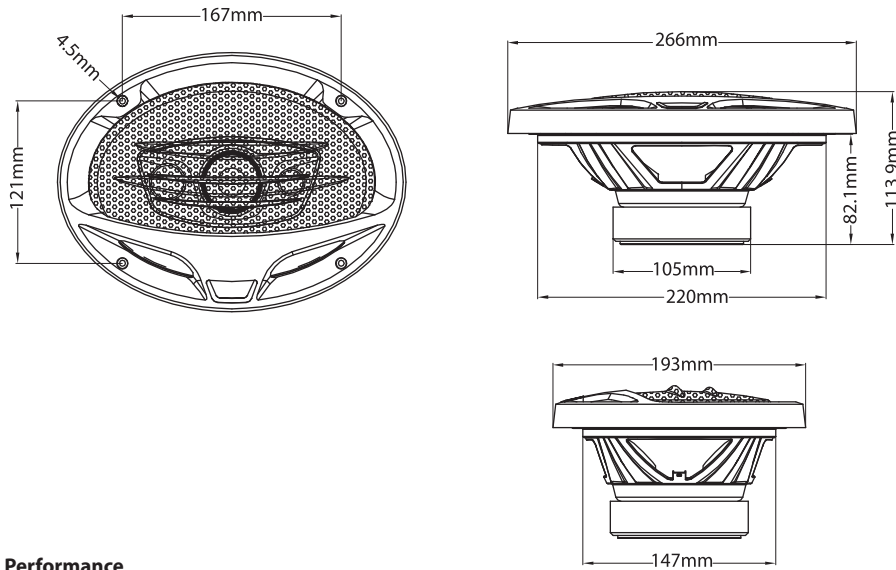
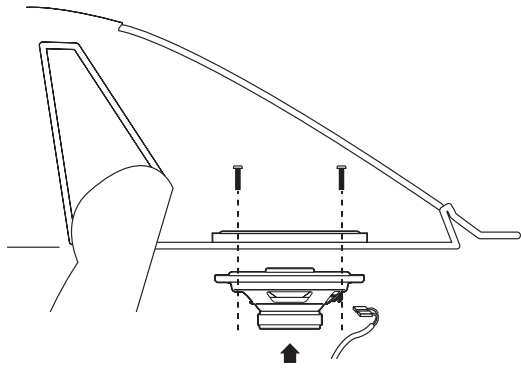


BGx 1694 N



Enjoy it.

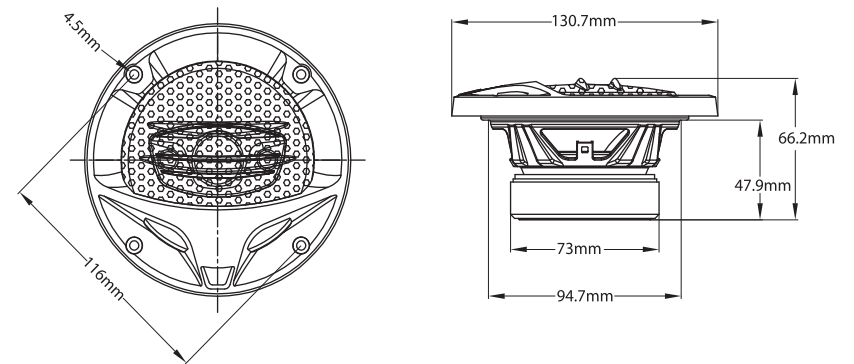
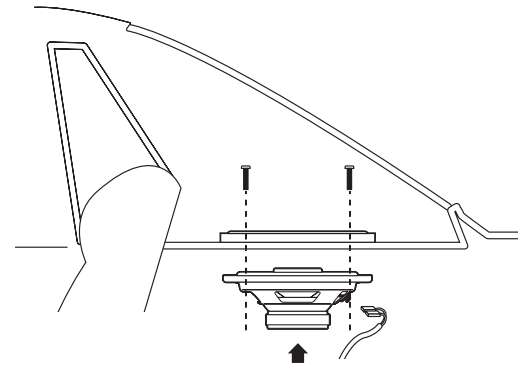
Operating and installation instruction



Performance

Max. Output Power	120Watts
Normal Output Power	40Watts
Impedance	4 ohms
Frequency Response	65Hz - 20,000 Hz
Sensitivity	88dB

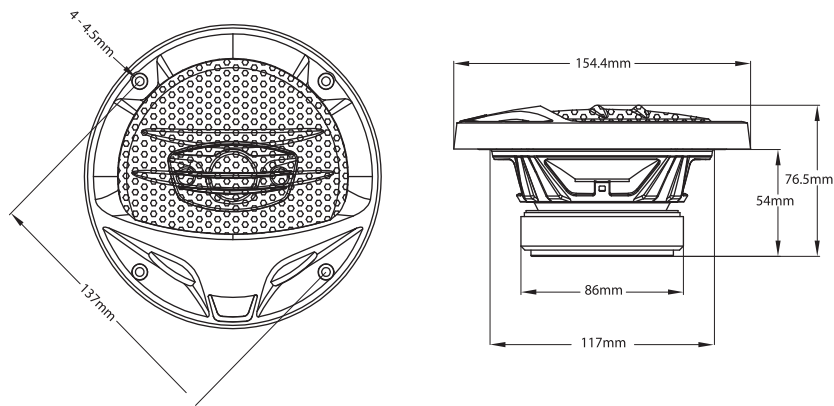
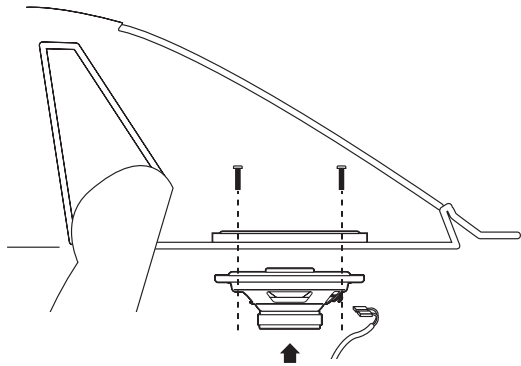
Operating and installation instruction



Performance

Max. Output Power	60Watts
Normal Output Power	20Watts
Impedance	4 ohms
Frequency Response	100Hz - 20,000 Hz
Sensitivity	85dB

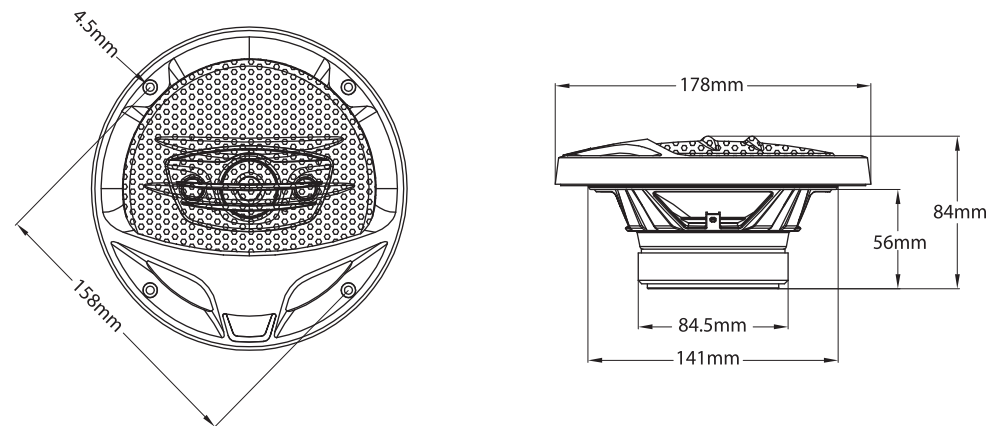
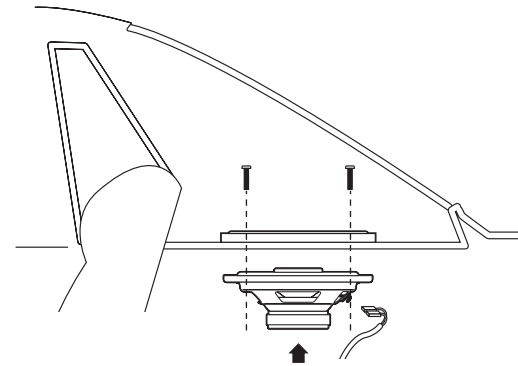
Operating and installation instruction



Performance

Max. Output Power	80Watts
Normal Output Power	25Watts
Impedance	4 ohms
Frequency Response	80Hz - 20,000 Hz
Sensitivity	88dB

Operating and installation instruction



Performance

Max. Output Power	100Watts
Normal Output Power	30Watts
Impedance	4 ohms
Frequency Response	65Hz - 20,000 Hz
Sensitivity	88dB