

VELOCITY POWER  
2-WAY COMPONENT SPEAKERS

MPS 1662 C30



MPS 1662 C38



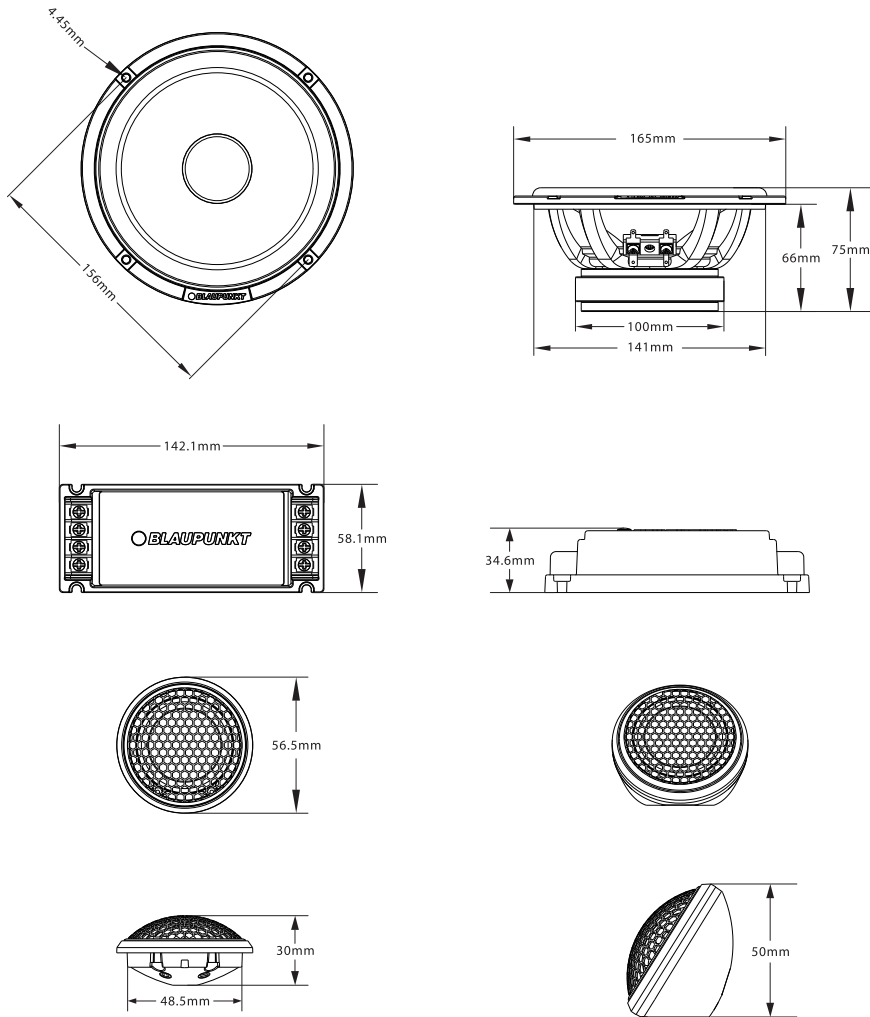
*Enjoy it.*

MPS 1662 C30  
1 111 18 014 02 01

MPS 1662 C38  
1 111 18 015 02 01

# MPS 1662 C30

## Diagram

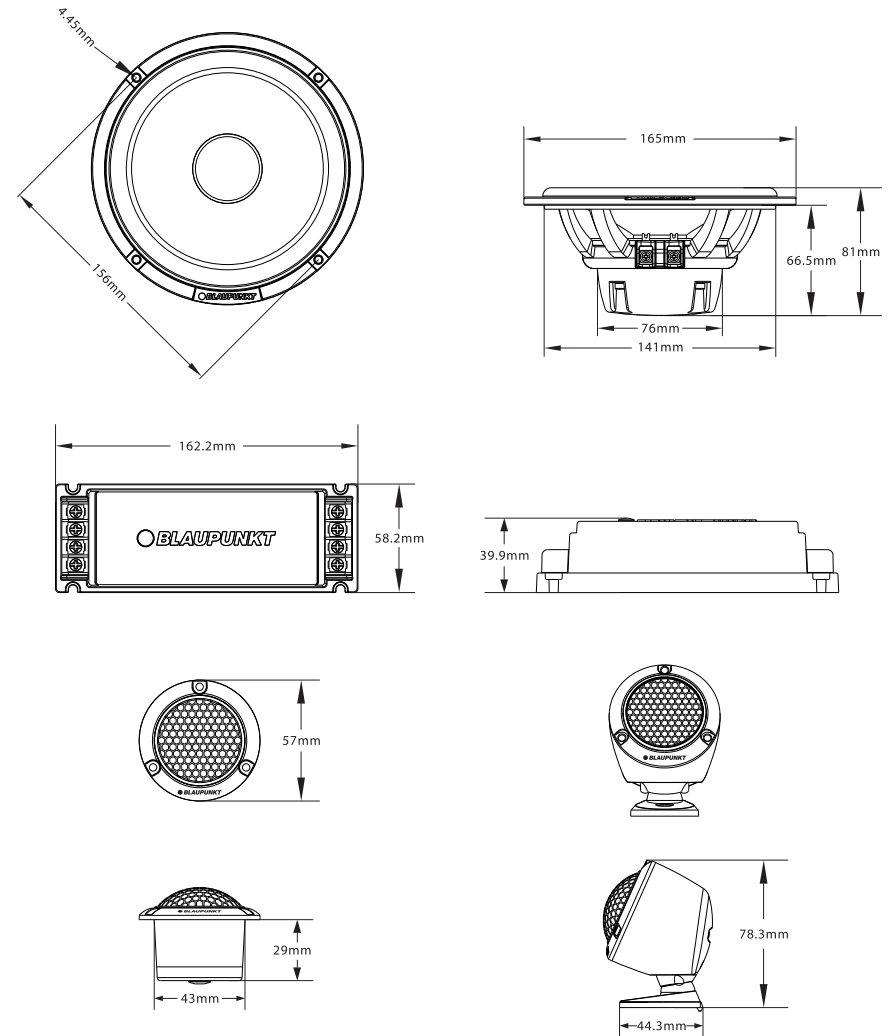


Pair of 2-way component speaker with Composite Carbon Fiber including mounting hardware

- Max. output power : 120W
- Normal output power (RMS) : 50W
- Speaker diameter : 6.5"
- Voice coil : 30.55mm
- Tweeter size : 28.3mm
- Impedance : 3 ohms
- Frequency response : 60Hz - 25,000Hz
- Sensitivity : 92dB
- Mounting depth : 66mm
- Diameter hole : 165mm

# MPS 1662 C38

## Diagram



Pair of 2-way component speaker with bullet proof Kevlar Honeycomb including mounting hardware

- Max. output power : 120W
- Normal output power (RMS) : 50W
- Speaker diameter : 6.5"
- Voice coil : 35.55mm
- Tweeter size : 28.3mm
- Impedance : 3.2 ohms
- Frequency response : 56Hz - 22,000Hz
- Sensitivity : 90dB
- Mounting depth : 67mm
- Diameter hole : 165mm