

BLAUPUNKT

BLUEBOT XTREME ROBOTIC



EN	USER MANUAL	2
DE	BEDIENUNGSANLEITUNG	23
FR	MANUEL DE L'UTILISATEUR	44
NL	GEbruikersHANDLEIDING	65

Enjoy it.



Welcome!

Thank you for choosing the Blaupunkt **Bluebot XTREME**.

With this manual we would like to support you in the set-up and usage of your Blaupunkt Bluebot robot.

For extra how-to videos, tips & tricks, FAQs or contact details, go to:

www.blaupunktrobotics.eu/support

In this manual you will find the following topics to support you in the set-up of your robot:

1	Safety regulations	03
2	Product information	05
3	Installation of the robot	08
4	Installation of the Bluebot application	11
5	Usage of the robot	13
6	Cleaning settings	14
7	Maintenance	15
8	Basic parameters	19
9	Usage limitations	20
10	Trouble shooting	21
11	Warranty	22

1. SAFETY REGULATIONS



GENERAL SAFETY REGULATIONS:

Before using this product, please read the following safety instructions and follow all routine safety precautions.

Please read the instructions carefully, please keep the instructions.

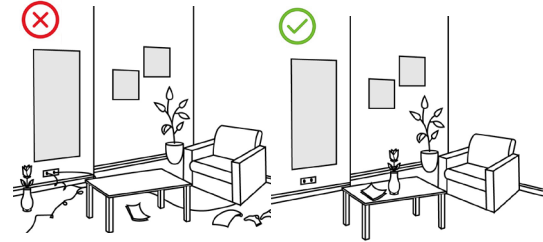
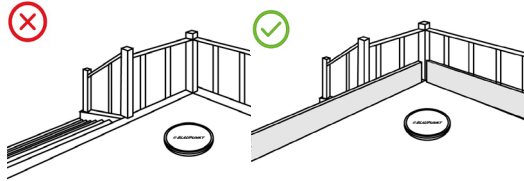
Any operation inconsistent with this instruction manual may cause damage to this product.

WARNING:

- Use only the original rechargeable battery and charging station specially equipped by the manufacturer. Non-rechargeable batteries are strictly prohibited, please refer to "product parameters" for battery specification information.
- It is forbidden to use products in environments with open flames or fragile objects.
- It is forbidden to use products in extremely hot (above 40 °C) or extremely cold (below 0 °C) environments.
- It is forbidden to approach human hair, clothes, fingers and other parts to the opening and operating parts of the product.
- It is forbidden to use products on wet or stagnant ground.
- It is forbidden to use product near burning or extremely hot object, for example a burning fireplace.
- It is forbidden for products to absorb any articles such as stones and waste paper that may clog the product.
- It is forbidden for products to absorb any inflammable substances, such as petrol, toner and toner for printers or photocopies. Prohibit the use of products in clean areas with flammable items.
- It is forbidden for products to absorb any burning articles, such as cigarettes, matches, ashes and other articles that may cause fire.
- It is forbidden to place articles at the suction opening. Do not use the product when the suction port is blocked. Clean up dust, cotton wool, hair, etc. at the suction opening to ensure smooth air circulation at the suction opening.
- Use the power cord carefully to avoid damage. It's forbidden to use the power cord to drag or pull the product and the product charging station. It's forbidden to use the power cord as a handle. It's forbidden to clamp the power cord in the crack of the door. It is forbidden to pull the power cord at sharp corners and corners. It's forbidden for the product to run on the power cord while the power cord should be far away from the heat source.
- Do not use a damaged charging station.
- Even if the product has been severely damaged, burning of the product is prohibited, which may lead to explosion of the battery of the product.

SAFETY REGULATIONS

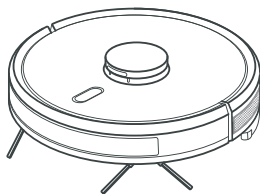
NOTE:



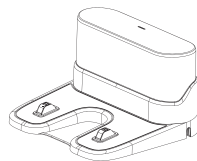
- Only authorized technicians can disassemble this product. Users are not recommended to disassemble this product by themselves.
- This product can only use the power adapter provided by the factory. If other adapters are used, the product may be damaged.
- Do not touch wires, sockets or power adapters when your hands are wet.
- Do not use cloth curtains or body parts to roll into the product drive wheels.
- Do not place this product near cigarette butts, lighters and other smoldering fires.
- Please clean the product after charging.
- Do not bend wires excessively or place heavy objects and sharp objects on the machine.
- This product is an indoor household product. Do not use it outdoors.
- Do not sit on the product.
- Do not use this product (e.g. bathroom) in a wet environment.
- Before using this product, please remove all vulnerable items (e.g. glasses, lamps, etc.) on the ground as well as items (e.g. wires, paper sheets, curtains) that may entangle the side brushes and air suction passages.

- Do not put this product in a place where it is easy to fall (e.g. on desks and chairs by the stair case).
- Please carefully check whether the power adapter is connected to the socket before use, otherwise the battery may be damaged.
- To prevent tripping, please inform other members of the house when this product works.
- Please empty the dust bin before using this product when the dust bin is full.
- The temperature used for this product is 0 to 40 degrees Celsius.
- Do not use this product in high temperature environments.
- Please remove the battery from the machine before the product is scrapped.
- Please make sure that this product is not powered on when removing the battery.
- Please recycle the discarded batteries safely.
- Recommended to block the staircase exit or areas where the robot may fall. The anti-drop sensors prevent the robot from tumbling down stairs and steep drops. However, they may work less effectively when dirty or used on reflective/very dark-colored floors.

2. PRODUCT INFORMATION



XTREME robot



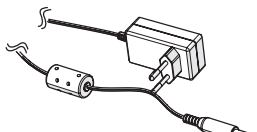
Charging station



Instruction manual



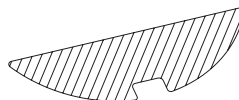
Side Brush (4x)



Adapter



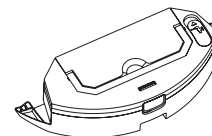
Cleaning brush
with knife



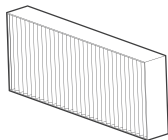
Mopping cloth (2x)



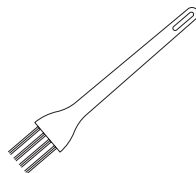
Dust bin



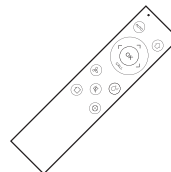
2 in 1 electrically-
controlled water tank



HEPA filter +
Sponge filter (2x)



Cleaning brush



Remote control



2 x battery

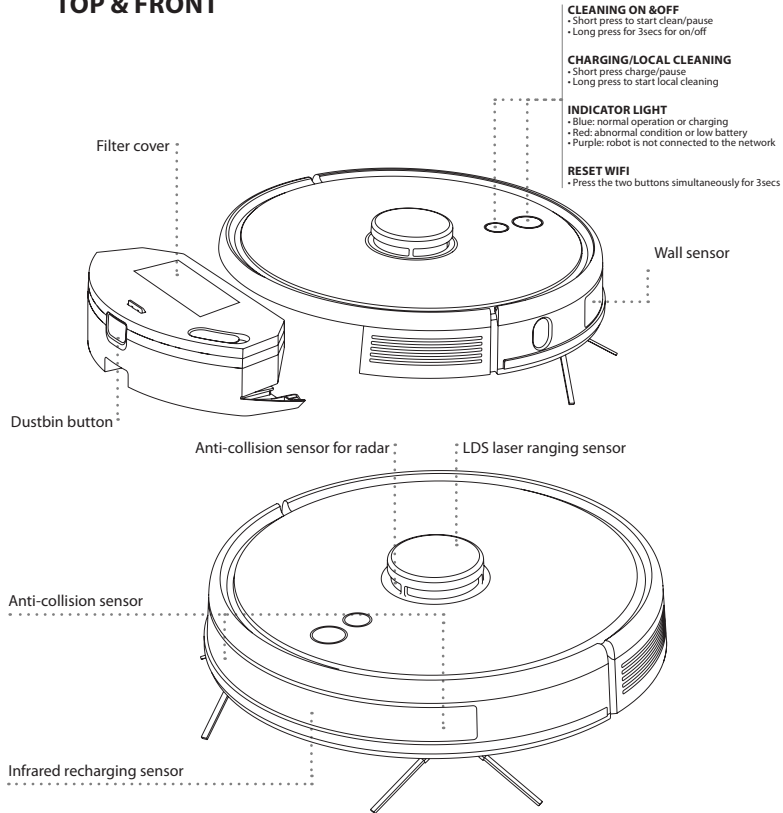


Spiral rolling brush

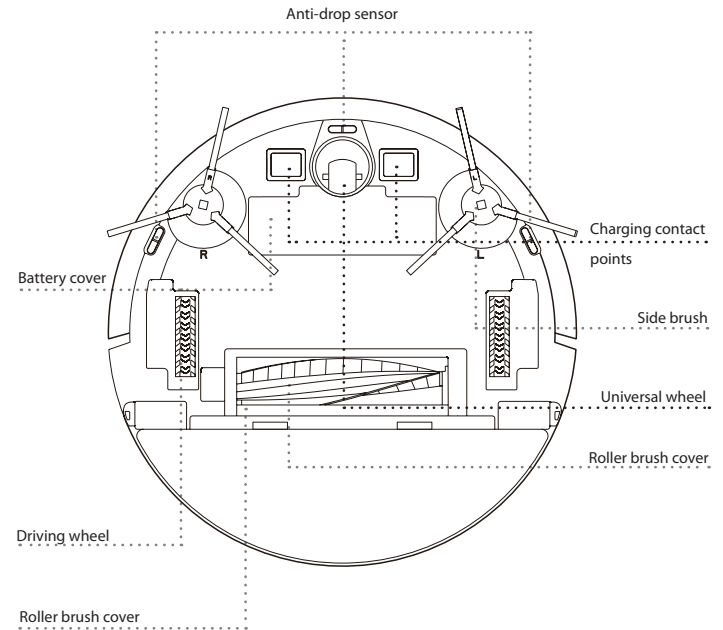
PRODUCT INFORMATION



TOP & FRONT



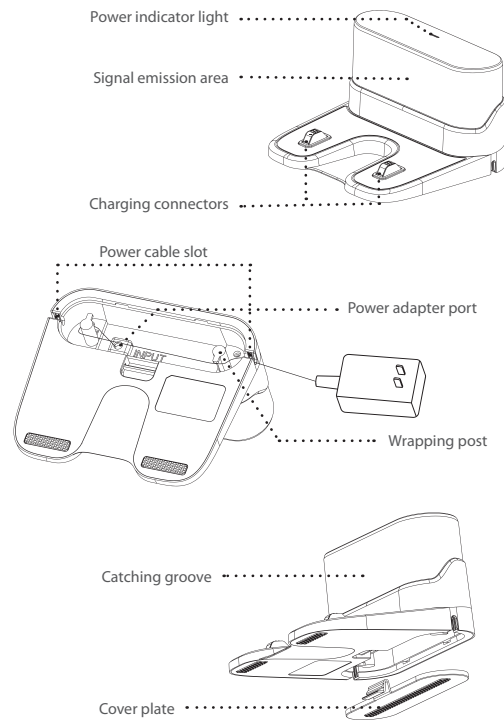
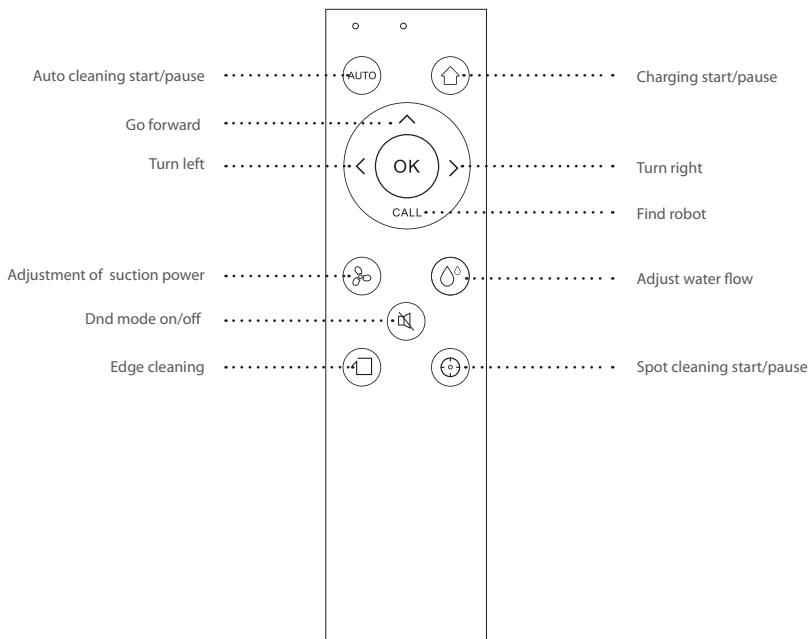
BOTTOM



PRODUCT INFORMATION



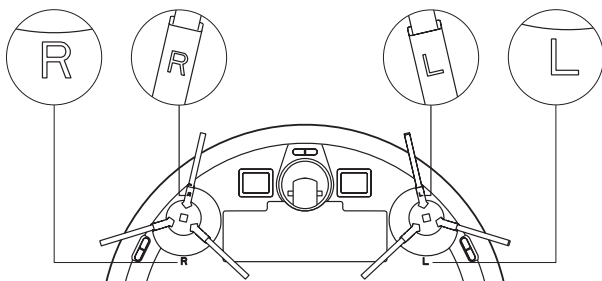
REMOTE CONTROL & CHARGING STATION



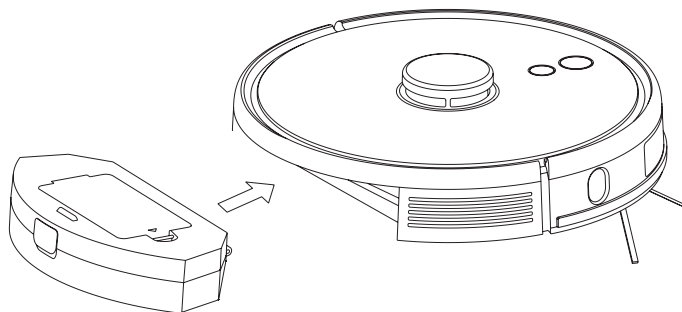
3. INSTALATION INSTRUCTION ROBOT

PRODUCT ASSEMBLY

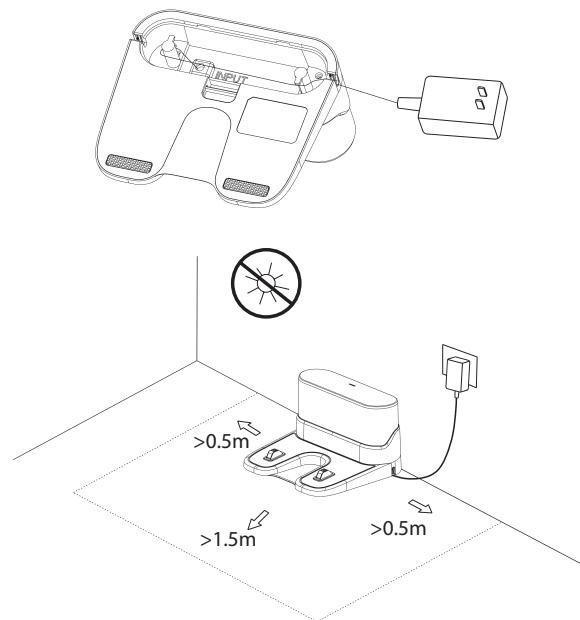
1 Install the brushes. Make the left side-brush (L) and the right-side brush (R) correspond to L and R on the bottom casing, keep pressing L and R and the side brushes. They are installed when you hear a “click” sound.



2 Place the dust bin or 2-in-1 combi watertank in the robot.



3 Install the charging station



4 Fully charge the robot (before 1st time use)

5 Connect with Bluebot app (optional)

6 Start cleaning

INSTALLATION INSTRUCTION ROBOT

NOTE

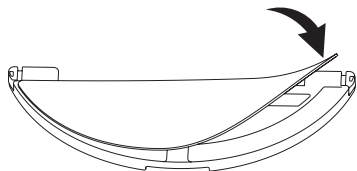
- Please do not move the charging station without reason and keep it out of direct sunlight.
- If the charging station is relocated, the robot may fail in positioning and lose the map. When restarted, the robot will rebuild and memorise the map. In the rebuilt map the cleaning information for forbidden areas and other areas may have been lost.
- Direct sunlight will interfere with the recharging signal and consequently, the robot may be unable to return to the charging station.
- The robot cannot be used to remove liquids.
- If the battery level is less than 20% the machine will not work. Please charge it.
- The machine will return to the charging station automatically if the battery level is less than 20% when in use and will be powered off and then start cleaning automatically after the battery level reaches 80%.
- Please clear various wires (including the power line of the charging station) from the ground before use to avoid outage and damage of objects or wires when wires are dragged by the robot.

INSTALLATION INSTRUCTION ROBOT

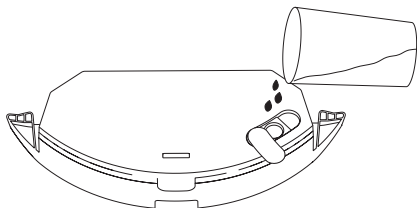


INSTALLATION OF MOPPING MODULE

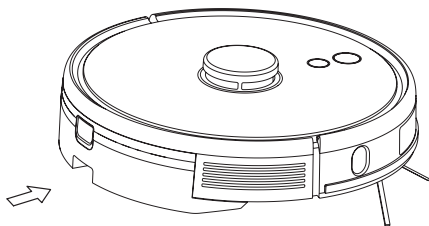
1 Paste the mopping cloth flat onto the bottom of the water tank.



2 Fill the water tank: uncap the cover and fill with water.

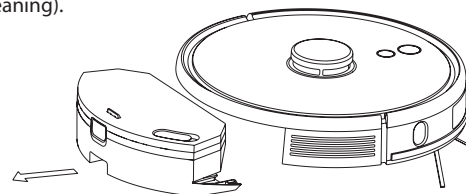


3 Press and hold the button in the middle of the tank and push it horizontally along the rear of the robot. The module is correctly in place correctly if you hear the sound of a "click".



4 Remove the mopping module

When the robot is finished working, press the button in the middle of water tank to remove the mopping module backwards, empty the water in the water tank and clean the mopping cloth (do not move or turn the robot over during cleaning).



NOTES FOR MOPPING MODULE

- Please do not use the mopping module after it has been left unused.
- For safety reasons, please be sure to remove the mopping module when it is being charged or left unused.
- Please do not mop the carpet. Set a forbidden area in the Bluebot app to prevent the machine from going onto the carpet.
- To achieve a better mopping effect, the mopping module should be installed after take out and reassemble the mopping module according to step 3. Please do not move or turn the robot over, otherwise, it could fail in its positioning, lose its map and "forget" the forbidden areas that are programmed.
- The mopping function of the machine is intended for wiping and is not conducive to deep cleaning. It cannot remove stubborn stains effectively and replace the labour force.
- Please don't use any detergent in the watertank to prevent clogging.
- The robot cannot be used to remove liquids.

4. INSTALLATION BLUEBOT APP

BLUEBOT APPLICATION

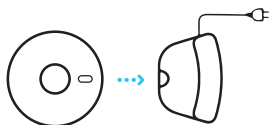
1 Fully charge robot

2 Download Bluebot app

3 Steps for registration

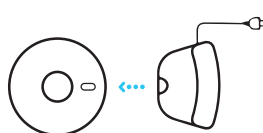
4 Connect robot with app (steps)

1



Place the robot in the charging station to charge and make sure it's fully charged before use.

2



Remove the robot from the charging station.

3



Make sure the Robot is on, by holding in the 'On button' for a few seconds on top of the robot. Wait until the robot has started fully.

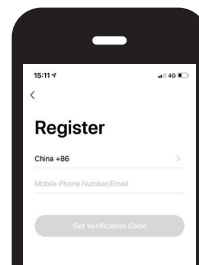
4



Download the Bluebot app. The app can be found in the Appstore and Google Play.

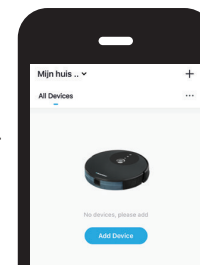
5

Register a new account if you are not yet an existing user.



6

Open the Bluebot app and press the '+' icon to add your device.

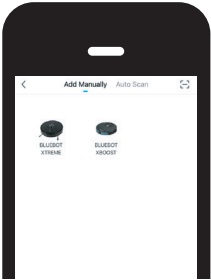


INSTALLATION BLUEBOT APP



7

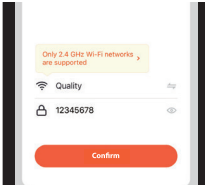
Select the device you want to add.



8

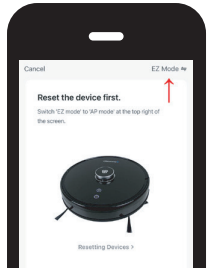
Select your wifi network, enter the password and press confirm.

Only 2.4 GHz wi-fi networks are supported. Please see your router manual for help.




9

Select 'AP mode' in the upper right.



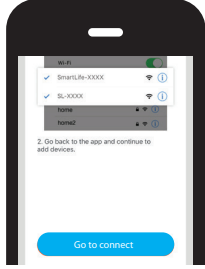
10

After your registration, make sure the robot is removed from it's charging station. Turn on your Robot by pressing the 'On button' . After that is done, press both the 'Home button' and 'On button' simultaneously for more than 3 seconds untill the robot mentions that it lost it's wifi connection.



11

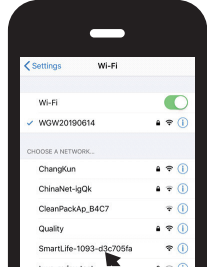
Press on the 'Go to connect' button in the bottom of your screen.



12

Select the 'SmartLife xxx' network from the list and return to the Bluebot app.

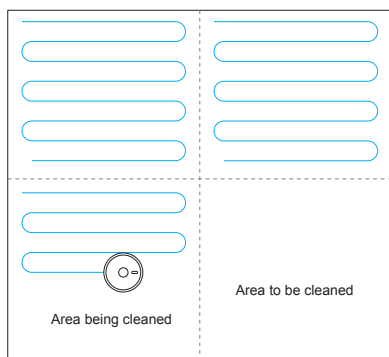
Your robot will now connect to the App.



5. USAGE OF THE ROBOT

CLEANING MODE

After the robot is powered on, it will scan and generate the map and divide it into areas intelligently. Then sweep the areas one by one along the wall orderly, efficiently and thoroughly and plan the cleaning route in a bow/S shape. The robot will return to the charging station automatically after cleaning.



NOTE

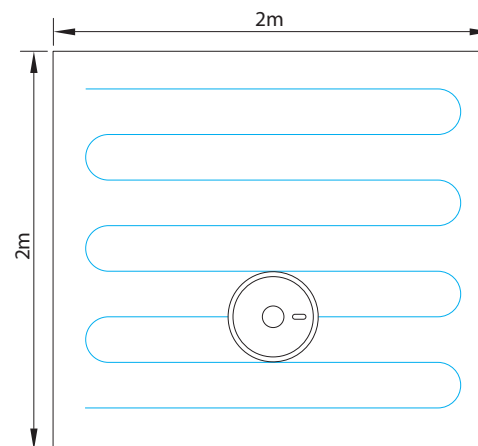
Do not move the robot casually and frequently when it is cleaning. After moving, please put the robot near the original position. When it starts again, it will try to reposition itself. After successful positioning, it would follow the planned path and continue to work. If the positioning fails, the robot would abort previous mission, make a map and do the cleaning again.

SPOT CLEANING

When a local area needs a deep sweep, the user specifies a point on the map on the APP, the machine will automatically drive to the vicinity of the point, take the point as the center, and clean within 1.5m x 1.5m.

PARTIAL CLEANING

When the robot cannot be controlled by the mobile APP, please remove the robot to the place you want to clean. Long press the button for 3 seconds, and the robot will clean twice within the scope of 2mx2m centering on itself.



6. CLEANING SETTINGS

MORE OPTIONS

Timer*

Set a timer to program the robot to clean at a certain time or day.

Manual

Control the robot manually with the remote control or use the Bluebot app on your phone as a remote control.

Find robot

Tap this button when you lost your robot and your robot will tell you where it is.

Map management*

Use this function to manage your maps (5 max.).

Water regulation

Control the water regulation and choose “Low”, “Medium” or “High”. This will regulate how wet the mop will become when using the robot including the 2 in 1 electric- controlled water tank.

Auto Boost*

Auto Boost will increase suction power when the robot gets more friction. This is designed to increase suction on carpets.

Custom mode*

So the robot can remember per area what route to use for cleaning.

Record*

View all your previous vacuum cleaning records. You can see how many m2 has been cleaned and the time it took. Here you can also load previously saved maps. Ideal when cleaning different area's (upper floor for instance).

Voice and volume

Setup your language and change the volume.

Do not disturb mode

Here you can schedule an do not disturb time period.

Consumables and maintenance*

Here you will find an overview of consumables and indicates when consumables need to be replaced or maintenance is required.

More info*

Here you will find network and robot information

Set wall / Resctricted Area*

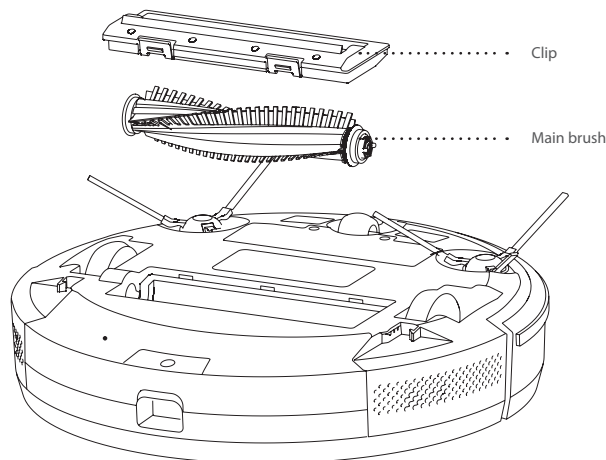
Use this function to create no-go zones within the area that you are cleaning. You can draw virtual walls that blocks the robot from crossing. Or you create a restricted area for either vacuuming or mopping.

* Via Bluebot app only

7. MAINTENANCE

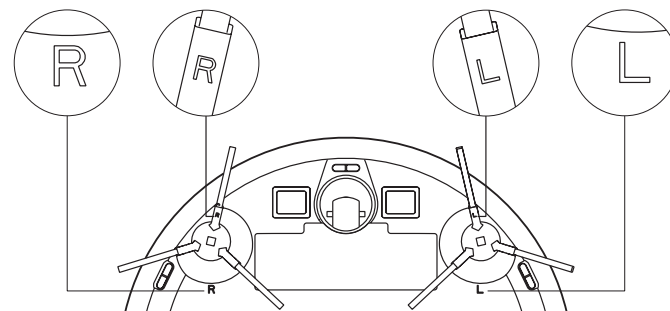
ROLLING BRUSH | REGULAR CLEANING

- 1 Turn over the machine and press the buckle on the rolling brush cover to take out the rolling brush. Filter cover cleaning
- 2 Remove dust outside and inside the rolling brush using a tiny brush and clean the rolling brush.
- 3 Reassemble the rolling brush and press the rolling brush and the rolling brush cover tightly to completely close it again.



SIDE BRUSH | REGULAR CLEANING

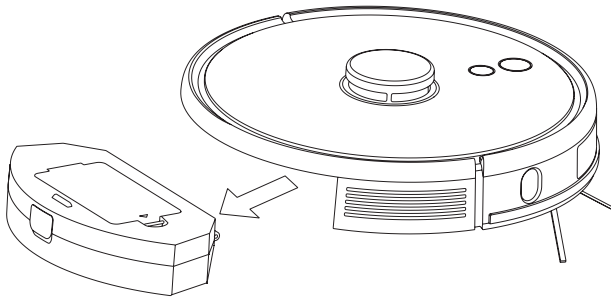
- 1 Turn over the machine and pull the side brush out and upwards
- 2 Remove hair and dirt and reassemble the side brush.
- 3 Make the left-side brush (L) and the right-side brush (R) correspond to L and R on the bottom casting, press L and R to reinstall them.



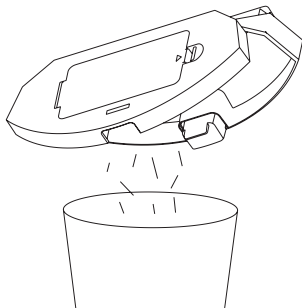
MAINTENANCE

DUST BIN | REGULAR CLEANING

1 Press the button and pull the dustbin out backwards.



2 Open, empty and clean the dustbin.



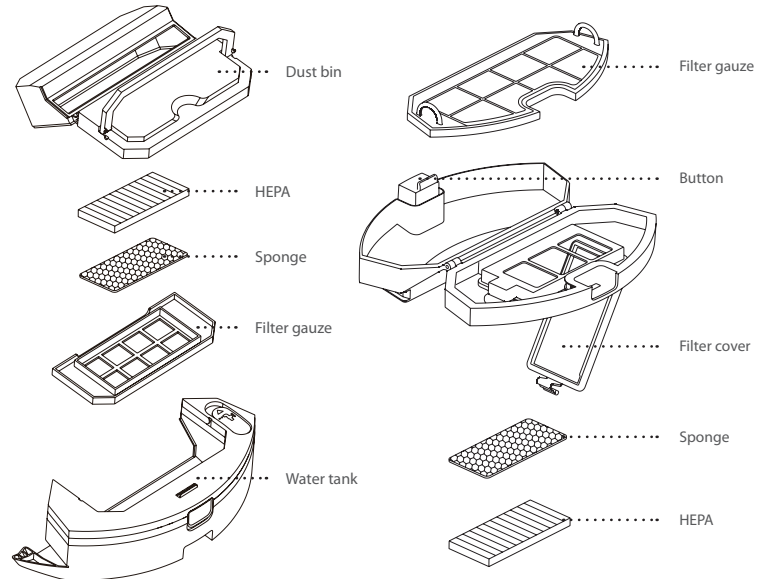
FILTER | REGULAR CLEANING

1 Remove the filter gauze, sponge and HEPA.

2 Clean the removed filter gauze, sponge, and Dust bin HEPA with water if needed.

3 Shake off the water drops and dry the pieces naturally, then use them after they have completely dried.

4 When dry, install them in the sequence: filter gauze > sponge > HEPA.

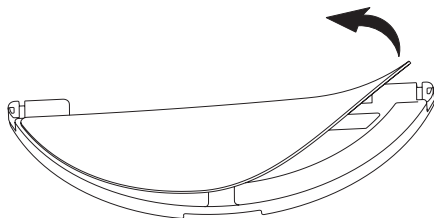


MAINTENANCE

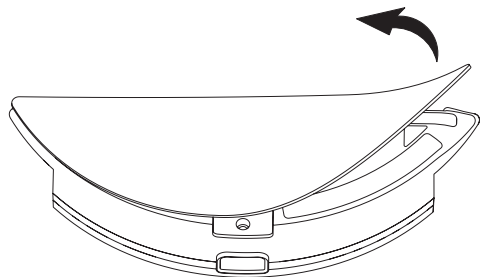


MOPPING MODULE | 2 IN 1 ELECTRICALLY-CONTROLLED WATER TANK

1 Remove the mop, pour the water out of the water tank after each use.



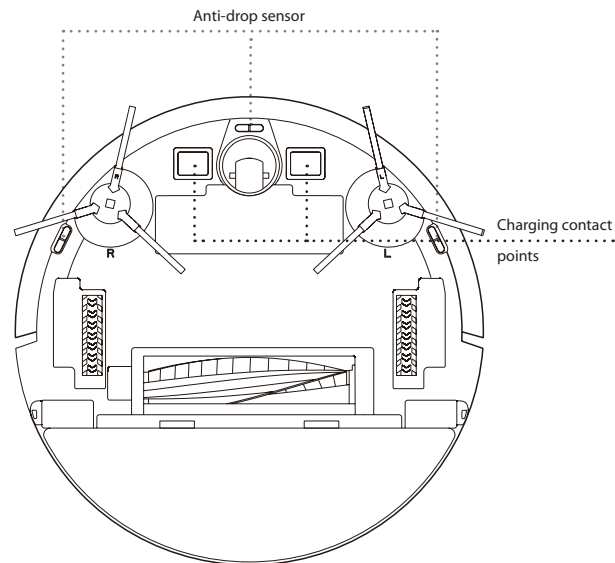
2 Clean the mop (by hand or in a washing machine; max 40°C), dry naturally, do not tumble dry the mop. Dry the water tank naturally by air.



SENSOR | REGULARY CLEANING

Clean the sensors with a soft, dry mop, including:

- 1 Three anti-dropping sensors at the bottom of the robot.
- 2 Electric shock protector and the pins to connect with the charging station at the bottom of the robot (please cut the power off during cleaning)
- 3 Signal transmission area of charging station.



BATTERY

- The robot is furnished with high-performance lithium-ion batteries.
- To maintain battery performance, please keep the robot charged in daily use
- If the machine is left unused for any length of time, please shut down and keep it properly.
- Charge it at least every three months to avoid damaging batteries due to excessive discharge.

FIRMWARE UPGRADE

- Upgrade firmware using the Bluebot app. If new firmware is detected, upgrade it according to the report.
- The battery level should be $\geq 50\%$ during firmware upgrade, so if needed the machine should be placed on the charging station to charge before the firmware upgrade takes place.

SYSTEM RESET

- Take the dust bin out and press '**Reset key**'. Make sure that you place the robot back on its charging station.
- The current map and timing will be lost, WIFI and personalised settings will be reserved after reset.

8. BASIC PARAMETERS

ROBOT

Item	Parameter
Model	BLUEBOT XTREME
Overall dimension	350X350X100mm
Product Weight	3.2 kg
Li-battery	5000mAh
Rated Voltage	14.4V
Rated power	50W

CHARGING STATION

Item	Parameter
Overall dimension	160x143X80mm
Rated Power	24W
Rated Output	24W

9. USAGE LIMITATIONS

- The product is only used for floor cleaning in a home environment and cannot be used for outdoor (such as an open terrace), non-ground (such as a sofa), or a commercial or industrial environment.
- Please do not use the product in high areas (such as a balcony, open staircase, open terrace and furniture tops) without a protective fence.
- Please do not use the product at a temperature above 40°C or below 0°C or when there are liquids and sticky substances on the ground.
- Please hang up any cables on the ground before use to avoid being dragged by the robot.
- Please clear fragile objects and impurities (such as vases and plastic bags, etc.) from the ground to avoid damaging valuables when the robot is stuck or impacted slightly.
- People with physical, mental, or perceptual disorders (including children) are not allowed to use or operate the product.
- Children cannot use the product as a toy. Please keep children and pets away when the robot is working.
- Please keep the main brush and other cleaning tools out of reach of children.
- Please do not place objects (including children and pets) on a stationary or moving robot.
- Please keep hair, fingers, and other parts of the human body or pets away from the suction inlet when the robot is working.
- Please do not use the product to clean burning objects (such as burning cigarette ends etc.).
- Please do not use the product to clean long-piled carpet (some dark carpets may not be cleaned normally).
- Please prevent the robot from suctioning hard or sharp objects (such as waste decorative materials, glass and iron nails, etc.).
- Please do not move the robot by holding the protective cover of the laser distance sensor and collision bumper.
- Please clean or maintain the robot and the charging station when shut-down or in the power-off state.
- Please do not wipe any part of the product using a wet cloth or any liquid.
- The LEDs emit very strong UV radiation. Don't look directly into the LED light, UV radiation can harm your eyes. To prevent even slight exposure, wear protective eyewear.
- Keep out of reach of children.
- Please use the product according to the User Manual. Users should be responsible for any damages and injuries caused by improper use. Battery and Charging:
 - Please do not use a battery, charging station or charger provided by any third parties.
 - Please do not dismantle, report or refit battery or charging station arbitrarily.
 - Please keep the charging station away from a heat source (such as a heating plate).
 - Please do not wipe or clean the charging station dirt using a wet cloth or wet hand.
 - Please do not just abandon used batteries. Used batteries should be disposed of by a professional recycling agency.
 - If the power line is damaged or broken, please discard it immediately and replace it through official channels.
 - Please ensure the robot shuts down during transportation and the product should be transported in its original packaging.
 - If the robot is left unused for a long period, it should be fully charged and then placed in a cool and dry place. Charge the robot at least every three months to avoid damaging batteries due to excessive discharge.
 - You may not use detergent products in the water tank, as this may result a blockage of the water supply to the mop.

10. TROUBLESHOOTING



PROBLEM	SOLUTION
The robot does not start	<ul style="list-style-type: none"> • In case of a low battery level, please place the robot on the charging station and make sure that the charging plates of the robot and charging station connect. The robot will start automatically (if the robot is completely powered off, it can be started automatically after it has charged for a while). • If the environment temperature is lower than 0°C or higher than 40°C, please use it at a temperature between 0-40°C.
The robot cannot be charged	<ul style="list-style-type: none"> • Please move the robot away from the charging station and check if the indicator light of the charging station lights up. Confirm that both ends of the charging station power adapter are well connected. Make sure that the charging station is correctly positioned in front of the robot and that the distance between the front of the robot and the charging station is around 2 cm. • Check if there is poor contact between the charging plates of the robot and the charging station, please clean the charging plates or push the side brushes aside when these block the connection between the charging plates.
The robot does not recharge	The robot is too far away from the charging station, please put the robot near the charging station and try again.
Abnormal behaviour	Shut down the robot by pressing and holding the on/off button and restart the robot after 10 minutes.
Abnormal noise	The main brush, side brush or wheel may be entwined with foreign matter, please shut down the robot and re-move any foreign matter.
Cleaning ability declines or dust falls out	<ul style="list-style-type: none"> • The dustbin is full, please empty it • The filter screen is blocked, please clean or replace it • The main brush is entwined with foreign matter, please clean it
Wi-Fi cannot be connected	<ul style="list-style-type: none"> • The Wi-Fi signal is bad, please ensure that there is a good Wi-Fi signal • The Wi-Fi is connected abnormally, please reset the Wi-Fi (router), download the latest APP and try to reconnect it • Password is incorrect • The Wi-Fi is either on the 5 Ghz frequency band or on a mixed band of 2.4 and 5 Ghz. The cleaning robot only uses the 2.4G frequency band. <p>Please log in to your router and make sure that the two Ghz frequencies are split in 2.4 and 5 Ghz and give these different names. Instructions on how to do this can be found in your router manual.</p>
Fixed-time cleaning fails	In case of a low battery level, fixed-time cleaning can only be started when the battery level is 30% or more
Does the robot consume power when it is placed on the charging station	The robot consumes a little power when placed on the charging station. This assures the best performance of the battery.
The robot keeps turning around	<ul style="list-style-type: none"> • Take out the water tank and/or dust bin • Push the reset button for 2 seconds
My mop is dirty	You may wash these at maximum 40 degrees by hand or in a washing machine, but these may not be used in a dryer and should be dried naturally.

11. WARRANTY & RECYCLING

This product has 2 years warranty for manufacturing defects. The warranty period will be counted from the date of purchase of the product, according to purchase invoice. Product warranty only covers manufacturing defects, defects resulting from improper use are not covered in the warranty, such as (but not limited to) dropping the robot, improper transportation, connection to the mains power supply not in compliance with the voltage specified in this manual, insertion of foreign objects and natural wear of parts and parts. Such as plastic parts (caps, buttons, handles, latch locks, power cables, etc.) and metal parts (wires, motors, etc.).

Also not covered are damages due to agents of nature, lightning, food, sea, oxidation, humidity etc.). The product will lose its warranty if it presents defects, which after analysis by our technicians, are characterised as being improperly used, used for professional use or for the purpose for which it is not intended (according to the Owner's Manual). This warranty will be void if it is found that the device has been tampered with, has been repaired by a person or service not authorised by Blaupunkt. The guarantee is only valid with the receipt/invoice provided at purchase.

Blaupunkt undertakes to provide the above-mentioned services in the warranty period only in places where it maintains an authorised service. Consumers who are not located near an authorised service centre should be responsible for the costs and risks of transport to the authorised service of their choice.

Natural 'wear and tear' is not covered under warranty.

This product is for domestic use only.



DISPOSAL AND RECYCLING

This marking indicates that this product should not be disposed with other household wastes throughout the EU. To prevent possible harm to the environment or human health from uncontrolled waste disposal, recycle it responsibly to promote the sustainable reuse of material resources. To return your used device, please use the return and collection systems or contact the retailer where the product was purchased. They can take this product for environmental safe recycling.

Willkommen!

Vielen Dank, dass Sie sich für den Blaupunkt **Bluebot XTREME** entschieden haben.

Mit diesem Handbuch möchten wir Sie bei der Einrichtung und Nutzung Ihres Blaupunkt Bluebot Roboters unterstützen.

Zusätzliche Anleitungsvideos, Tipps & Tricks, FAQs oder Kontaktdaten finden Sie unter:

www.blaupunktrobotics.eu/support

In diesem Handbuch finden Sie die folgenden Themen, die Sie bei der Einrichtung Ihres Roboters unterstützen:

1	Sicherheitshinweise	24
2	Produktinformation	26
3	Montageanleitung roboter	29
4	Installation der app	32
5	Verwendung des Roboters	34
6	Einstellungen für die Reinigung	35
7	Tägliche Wartung	36
8	Grundsätzliche Parameter	40
9	Nutzungsbeschränkungen	41
10	Problembehebung	42
11	Garantie	43

1. SICHERHEITSHINWEISE

ALLGEMEINE SICHERHEITSVORSCHRIFTEN:

Bevor Sie dieses Produkt verwenden, lesen Sie bitte die folgenden Sicherheitshinweise und befolgen Sie alle üblichen Sicherheitsvorkehrungen.

Bitte lesen Sie die Anleitung sorgfältig durch und bewahren Sie diese auf.

Jede Bedienung, die nicht mit dieser Anleitung übereinstimmt, kann zu Schäden an diesem Produkt führen.

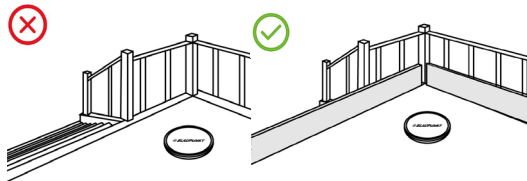
WARNUNG:

- Verwenden Sie nur den Original-Akku und die vom Hersteller speziell dafür vorgesehene Ladestation. Nicht wiederaufladbare Batterien sind strengstens untersagt, Informationen zu den Batteriespezifikationen finden Sie unter "Produktparameter"
- Es ist verboten, die Produkte in Umgebungen mit offenen Flammen oder zerbrechlichen Gegenständen zu verwenden.
- Es ist verboten, die Produkte bei extremer Hitze (über 40 °C) oder extremer Kälte (unter 0 °C) zu verwenden.
- Es ist verboten, sich den Öffnungs- und Bedienteilen des Produkts mit menschlichen Haaren, Kleidung, Fingern oder anderen Teilen zu nähern.
- Es ist verboten, die Produkte auf nassem oder stehendem Boden zu verwenden.
- Es ist verboten, dass die Produkte Gegenstände wie Steine und Altpapier aufnehmen, die die Produkte verstopfen könnten.
- Es ist verboten, dass die Produkte brennbare Stoffe wie Benzin, Toner und Toner für Drucker oder Fotokopien aufnehmen. Verboten Sie die Verwendung der Produkte in sauberen Bereichen mit brennbaren Gegenständen.
- Es ist verboten, dass die Produkte brennende Gegenstände wie Zigaretten, Streichhölzer, Asche und andere feuergefährliche Gegenstände aufnehmen.
- Es ist verboten, Gegenstände an der Saugöffnung zu platzieren. Verwenden Sie das Produkt nicht, wenn die Sauganschlüsse blockiert ist. Entfernen Sie Staub, Watte, Haare usw. an der Saugöffnung, um eine reibungslose Luftzirkulation an der Saugöffnung zu gewährleisten.
- Verwenden Sie das Netzkabel vorsichtig, um Beschädigungen zu vermeiden. Es ist verboten, das Produkt an der Ladestation am Netzkabel zu ziehen. Es ist verboten, das Netzkabel als Griff zu verwenden. Es ist verboten, das Netzkabel im Türspalt einzuklemmen.
- Es ist verboten, das Netzkabel über scharfe Ecken und Kanten zu ziehen. Betreiben Sie das Produkt nicht mittels Netzkabel, wenn das Netzkabel sich zu nahe an einer Wärmequelle befindet.
- Verwenden Sie kein beschädigtes Ladegerät oder Kabel und auch keine Ladestation.
- Auch wenn das Produkt stark beschädigt wurde, ist es verboten, das Produkt zu verbrennen, was zu einer Explosion des Akkus des Produkts führen kann.

SICHERHEITSHINWEISE



ACHTUNG:

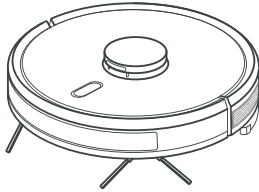


- Dieses Produkt kann nur von autorisierten Technikern zerlegt werden. Wir raten den Benutzern dringend davon ab, dieses Produkt selbst zu zerlegen.
- Dieses Produkt kann nur mit dem werkseitig mitgelieferten Netzteil verwendet werden. Wenn andere Adapter verwendet werden, kann das Produkt beschädigt werden.
- Berühren Sie keine Kabel, Steckdosen oder Netzteile mit nassen Händen.
- Achten Sie darauf, dass die Antriebsräder nicht über Vorhänge oder Körperteile rollen.
- Betreiben Sie dieses Produkt nicht in der Nähe von Zigarettenkippen, Feuerzeugen und anderen schwelenden Bränden.
- Bitte reinigen Sie das Produkt nach dem Aufladen.
- Biegen Sie die Kabel nicht übermäßig und legen Sie keine schweren oder scharfen Gegenstände auf das Gerät.
- Dieses Produkt ist ein Haushaltsprodukt für den Innenbereich. Verwenden Sie es nicht im Freien.
- Setzen Sie sich nicht auf das Produkt.
- Verwenden Sie dieses Produkt nicht in Feuchträumen (z. B. im Badezimmer).
- Entfernen Sie vor der Verwendung dieses Produkts alle empfindlichen Gegenstände (z. B. Brillen, Lampen usw.) vom Boden sowie Gegenstände (z. B. Drähte, Papiertücher, Vorhänge), die sich in den Seitenbürsten und Luftansaugkanälen verfangen können.

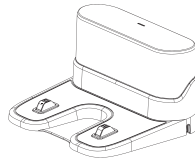


- Benutzen Sie dieses Produkt nicht an einem Ort, an dem es leicht herunterfallen kann (z. B. auf Schreibtische und Stühle).
- Bitte überprüfen Sie vor Gebrauch sorgfältig, ob das Netzteil an der Steckdose angeschlossen ist, da sonst der Akku beschädigt werden kann.
- Um Stolperfallen zu vermeiden, informieren Sie bitte andere Personen im Haus, sobald das Gerät in Betrieb genommen wird.
- Bitte leeren Sie den Staubbehälter, bevor Sie dieses Produkt verwenden, wenn der Staubbehälter voll ist.
- Dieses Produkt kann in einem Temperaturbereich von 0 bis 40 Grad Celsius in Betrieb genommen werden.
- Verwenden Sie dieses Produkt nicht in Umgebungen mit hohen Temperaturen.
- Bitte entfernen Sie den Akku aus der Maschine, bevor Sie das Produkt verschrotten.
- Bitte stellen Sie sicher, dass dieses Produkt beim Entfernen des Akkus nicht eingeschaltet ist.
- Bitte recyceln Sie die herausgeholtten Batterien sicher.
- Empfohlen zum Sperren des Treppenausgangs oder von Bereichen, in denen der Roboter fallen kann. Die Anti-Sturz-Sensoren verhindern, dass der Roboter Treppen und steile Abhänge hinunterstürzt. Sie können jedoch weniger effektiv arbeiten, wenn sie verschmutzt sind oder auf reflektierenden/sehr dunkel gefärbten Böden verwendet werden.

2. PRODUKTINFORMATION



XTREME-Roboter



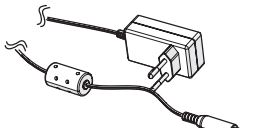
Ladestation



Benutzerhandbuch



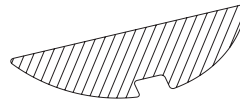
Seitenbürste (4x)



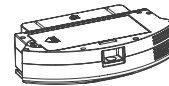
Adapter



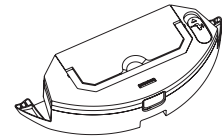
Reinigungsbürste mit
Messer



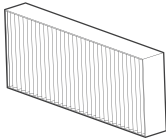
Wischtuch (2x)



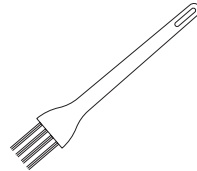
Staubbehälter



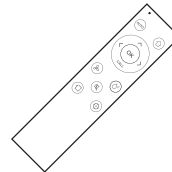
2 in 1 elektrisch
gesteuerter
Wassertank



HEPA-Filter +
Schwamm Filter



Reinigungsbürste



Fernbedienung



2 x Batterie



Rollbürste

OBEN ANSICHT ROBOTER

BODENANSICHT ROBOTER

REINIGUNG EIN&AUS

- Kurzes Drücken zum Starten der Reinigung/Pause
- Langes Drücken für 3 Sek. zum Ein- und Ausschalten

AUFLADEN/LOKALE REINIGUNG

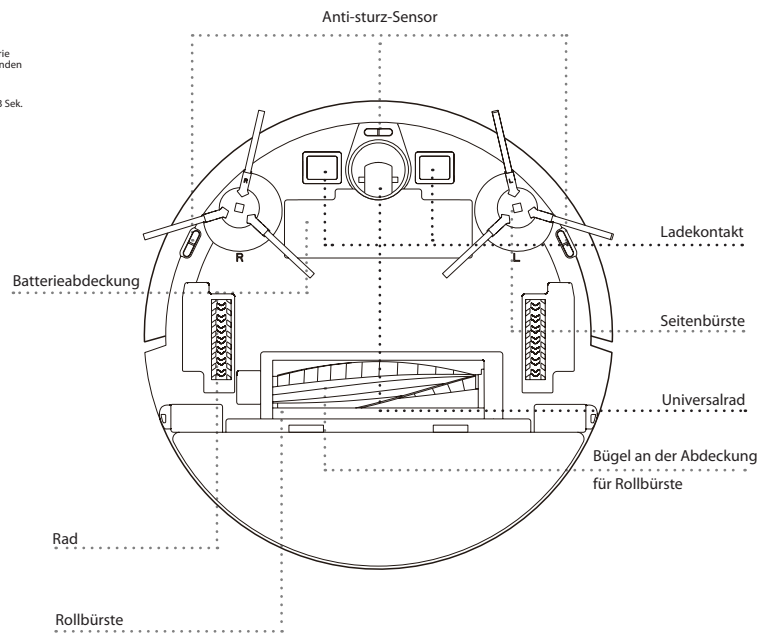
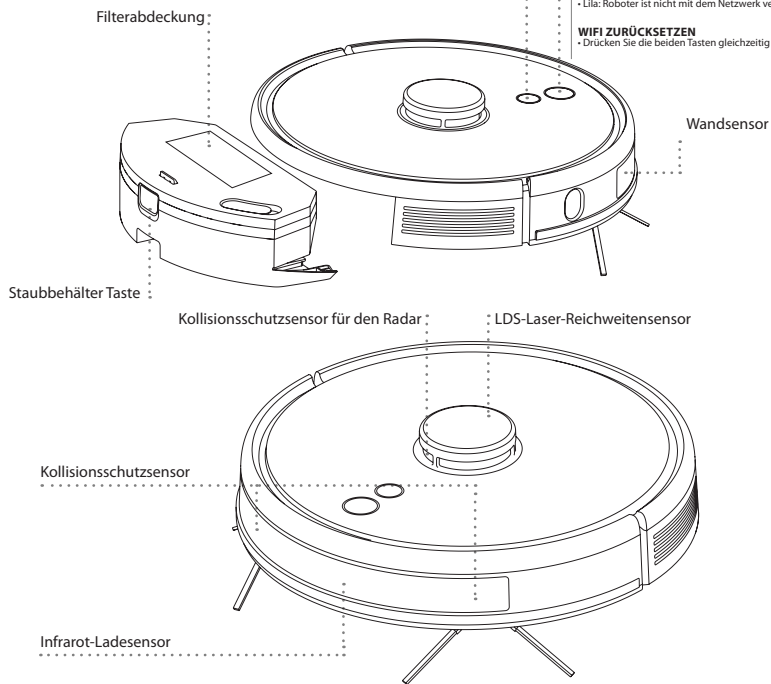
- Kurz drücken zum Laden/Pausieren
- Lang drücken, um lokale Reinigung zu starten

ANZEIGELICHT

- Blau: normaler Betrieb oder Laden
- Rot: abnormaler Zustand oder schwache Batterie
- Lila: Roboter ist nicht mit dem Netzwerk verbunden

WIFI ZURÜCKSETZEN

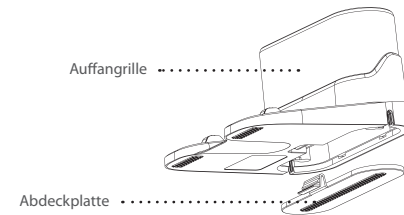
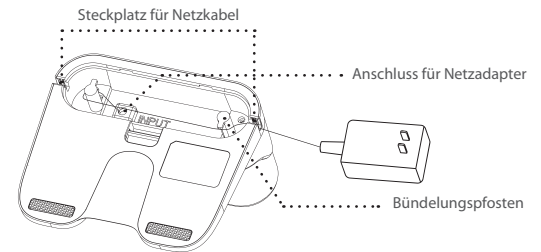
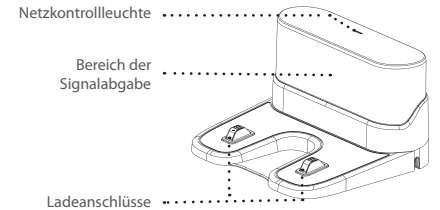
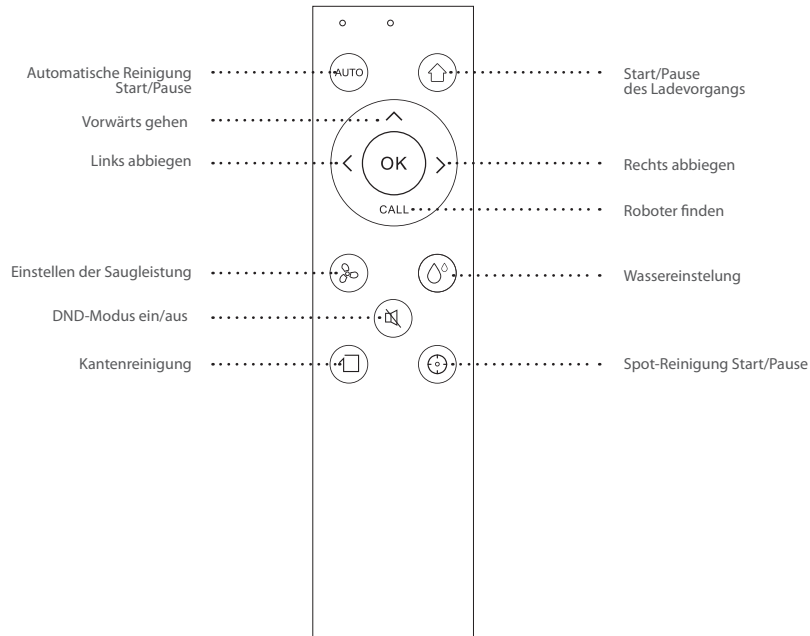
- Drücken Sie die beiden Tasten gleichzeitig für 3 Sek.



PRODUKTFORMATION



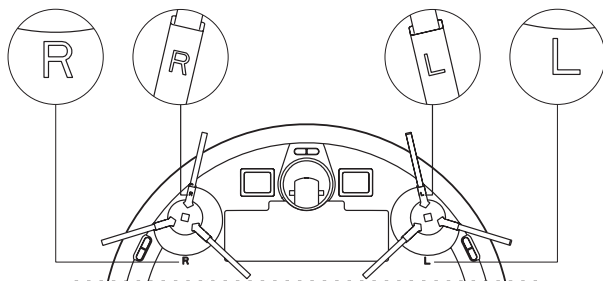
FERNBEDIENUNG UND LADESTATION



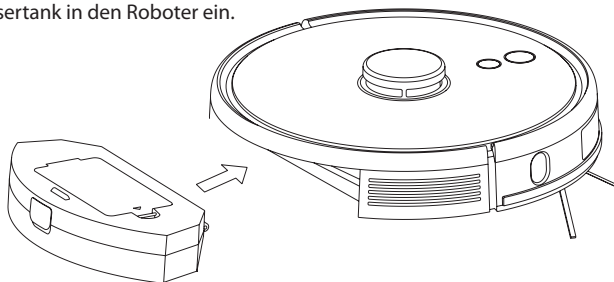
3. MONTAGEANLEITUNG ROBOTER

PRODUKTMONTAGE

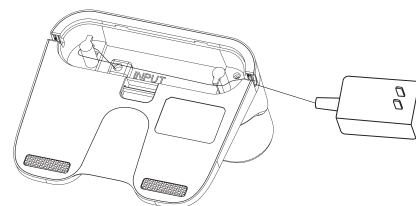
1 Setzen Sie die Bürsten ein. Stellen Sie sicher, dass die linke Seitenbürste (L) und die rechte Seitenbürste (R) mit L und R auf dem unteren Gehäuse übereinstimmen, halten Sie L und R und die Seitenbürsten gedrückt. Sie sind installiert, wenn Sie ein "Klick"-Geräusch hören.



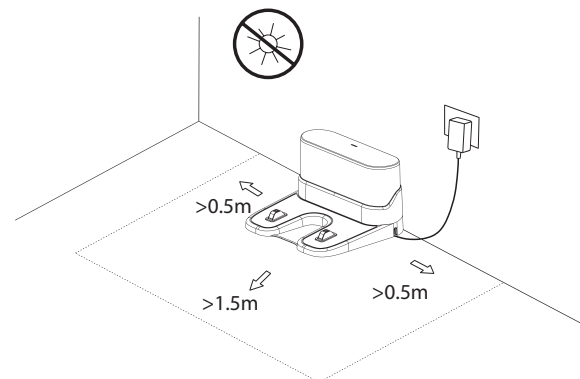
2 Setzen Sie den Staubbehälter oder den 2-in-1-Kombi-Wassertank in den Roboter ein.



3 Installieren der Ladestation



4 Laden Sie den Roboter vollständig auf (vor dem 1. Einsatz)



5 Mit Bluebot App verbinden (optional)

6 Reinigung starten

HINWEIS

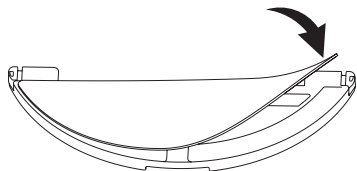
- Bitte bewegen Sie die Ladestation nicht ohne Grund und halten Sie sie von direkter Sonneneinstrahlung fern.
- Direkte Sonneneinstrahlung stört das Aufladesignal, so dass der Roboter möglicherweise nicht zur Ladestation zurückkehren kann.
- Wenn die Ladestation verlegt wird, kann der Roboter bei der Positionierung versagen und die Karte verlieren. Nach dem Neustart baut der Roboter die Karte neu auf und speichert sie ab. In der neu erstellten Karte können die Reinigungsinformationen für verbotene Bereiche und andere Bereiche verloren gegangen sein.
- Der Roboter kann nicht zum Entfernen von Flüssigkeiten verwendet werden.
- Wenn der Batteriestand weniger als 20 % beträgt, funktioniert das Gerät nicht. Bitte laden Sie ihn auf.
- Die Maschine kehrt automatisch zur Ladestation zurück, wenn der Akkustand bei der Verwendung weniger als 20 % beträgt, und wird ausgeschaltet und beginnt dann automatisch mit der Reinigung, wenn der Akkustand 80 % erreicht hat.
- Bitte entfernen Sie vor der Verwendung verschiedene Kabel (einschließlich der Stromleitung der Ladestation) vom Boden, um Ausfälle und Schäden an Gegenständen oder Kabeln zu vermeiden, wenn die Kabel vom Roboter gezogen werden.

MONTAGEANLEITUNG ROBOTER

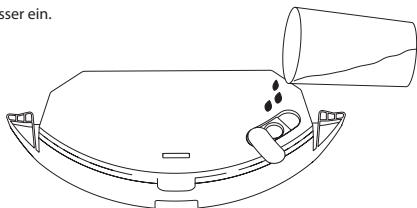


INSTALLATION DES WISCHMODULS

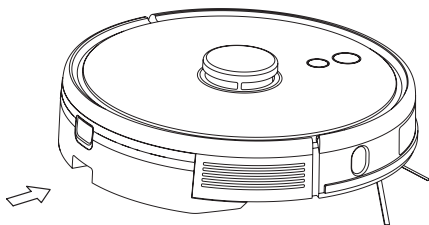
1 Spannen Sie den Wischlappen flach auf die unterseite des Wassertanks.



2 Füllen Sie den Wassertank auf: entfernen Sie hierzu die Abdeckung und gießen Sie das Wasser ein.

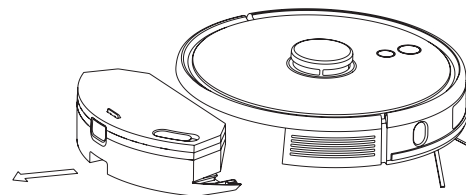


3 Halten Sie den Knopf in der Mitte des Wassertanks gedrückt und schieben Sie ihn horizontal auf der Rückseite des Roboters entlang. Das Modul sitzt richtig, wenn Sie ein „Klick“ Geräusch hören.



4 Entfernen des Wisch Moduls

Wenn der Roboter seine Arbeit beendet hat, drücken Sie den Knopf in der Mitte des Wassertanks, um das Wisch Modul nach hinten zu entfernen. Leeren Sie den Wassertank aus und reinigen Sie den Wischlappen (kippen und drehen Sie den Roboter während der Reinigung nicht).



HINWEISE FÜR DAS WISCHMODUL

- Verwenden Sie das Wisch Modul bitte nicht, wenn das Gerät längere Zeit nicht genutzt wurde.
- Entfernen Sie aus Sicherheitsgründungen das Wisch Modul während des Ladevorgangs oder bei nicht Benutzung.
- Bitte verwenden Sie das Wisch Modul nicht auf Teppichen. Richten Sie in der Bluebot App einen gesperrten Bereich ein, um das Gerät daran zu hindern, über den Teppich zu wischen.
- Um bessere Wischergebnisse zu erzielen, sollten Sie das Wisch Modul erst dann installieren, nachdem der Boden dreimal gereinigt wurde.
- Bitte pausieren Sie den Betrieb, wenn sie Wasser nachfüllen oder den Wischlappen reinigen möchten, während das Gerät läuft. Entfernen Sie hierzu das Wisch Modul gemäß Schritt 3. Wird das Gerät gekippt oder umgedreht, kann es passieren, dass es seine aktuelle Position vergisst, die Karte löscht oder gespeicherte Reinigungsareale „vergisst“.
- Die Wischfunktion dieses Geräts dient als Ergänzung zu einer gründlichen Reinigung. Diese Funktion alleine kann keine hartnäckigen Flecken nachhaltig entfernen und ersetzt auch keine gründliche, manuelle Reinigung.
- Bitte verwenden Sie keine Reinigungsmittel im Wassertank, um Verstopfungen zu vermeiden.
- Der Roboter kann nicht zum Entfernen von Flüssigkeiten verwendet werden.

4. INSTALLATION DER APP

BLUEBOT ANWENDUNG

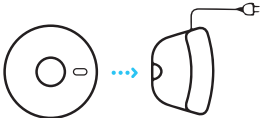
1 Roboter vollständig aufladen

2 Bluebot-App herunterladen

3 Schritte zur Registrierung

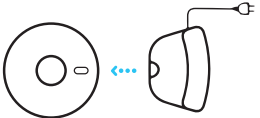
4 Roboter mit App verbinden (Schritte)

1




Stellen Sie den Roboter zum Laden in die Ladestation und stellen Sie vor dem Gebrauch sicher, dass er vollständig aufgeladen ist.

2




Entfernen Sie den Roboter von der Ladestation.

3



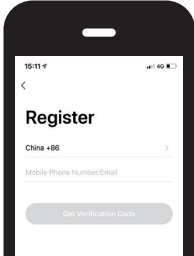
Stellen Sie sicher, dass der Roboter eingeschaltet ist, indem Sie die 'Ein-Taste' einige Sekunden lang auf dem Roboter gedrückt halten. Warten Sie, bis der Roboter vollständig gestartet ist.

4



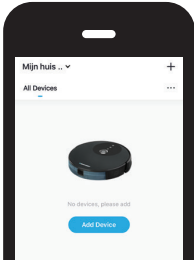
Laden Sie die Bluebot app. Die App finden Sie im Appstore und bei Google Play.

5



Registrieren Sie ein neues Konto, da Sie noch kein Benutzer sind.

6

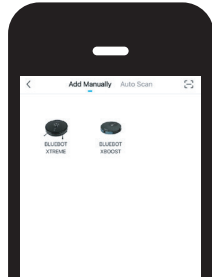


Öffne den Bluebot App und drücken Sie die '+' Symbol zum Hinzufügen Ihres Gerät.

INSTALLATION DER APP

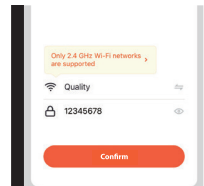


7



Wählen sie das Gerät, das Sie hinzufügen möchten.

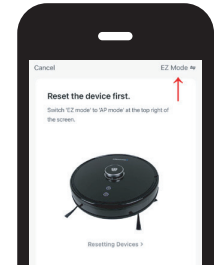
8



Wählen sie Ihr WLAN Netzwerk, geben Sie die Passwort und drücken Sie 'Weiter'.

Nur 2,4 GHz WLAN Netzwerke werden unterstützt. Weitere Informationen finden Sie in Ihrem Router-Handbuch.

9



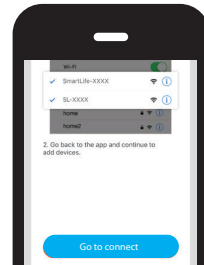
Wählen Sie oben rechts 'AP-Modus'.

10

Stellen Sie sicher, dass der Roboter aus der Ladestation entfernt ist. Schalten Sie nach der Registrierung Ihren Roboter ein, indem Sie auf drücken 'Ein-Taste'. Drücken Sie anschließend länger als 3 Sekunden gleichzeitig die 'Home-Taste' und die 'Ein-Taste', bis der Roboter feststellt, dass die WLAN-Verbindung unterbrochen wurde.

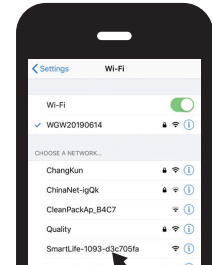


11



Klicken Sie unten auf dem Bildschirm auf die Schaltfläche 'jetzt verbinden'.

12



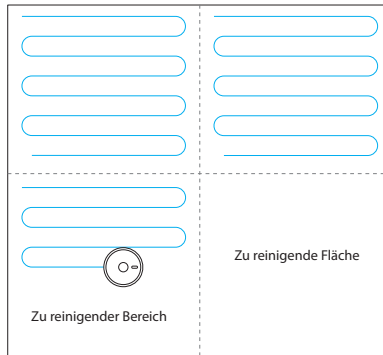
Wählen Sie das Netzwerk 'SmartLife xxx' aus der Liste aus und kehren Sie zur Bluebot-App zurück.

Ihr Roboter wird Jetzt verbinden mit die App.

5. VERWENDUNG DES ROBOTERS

REINIGUNGSMODUS

Nachdem der Roboter eingeschaltet ist, scannt und generiert er die Karte und teilt sie intelligent in Bereiche ein. Dann fegt er die Bereiche nacheinander geordnet, effizient und gründlich an der Wand entlang und plant die Reinigungsrouten in einer Bogen/S-Form. Nach der Reinigung kehrt der Roboter automatisch in die Ladestation zurück.



HINWEIS

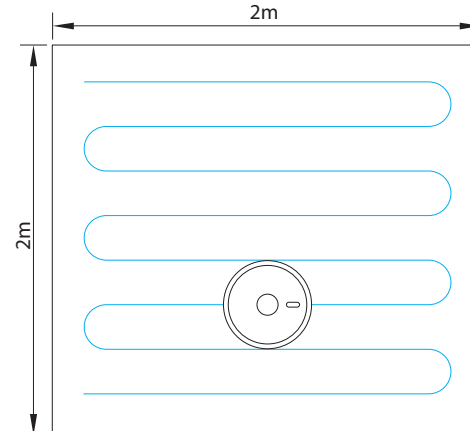
Bewegen Sie den Roboter nicht beiläufig und häufig, wenn er reinigt. Stellen Sie den Roboter nach dem Bewegung bitte in der Nähe der ursprünglichen Position ab. Wenn er erneut startet, wird er versuchen, sich neu zu positionieren. Nach erfolgreicher Positionierung würde er dem geplanten Weg folgen und weiterarbeiten. Wenn die Positionierung fehlschlägt, bricht der Roboter die vorherige Mission ab, erstellt eine Karte und führt die Reinigung erneut durch.

SPOT-REINIGUNG

Wenn ein lokaler Bereich tief gereinigt werden muss, gibt der Benutzer einen Punkt auf der Karte in der APP an. Die Maschine fährt automatisch in die Nähe des Punktes, nimmt den Punkt als Zentrum und reinigt innerhalb von 1,5m x 1,5m.

TEILREINIGUNG

Wenn der Roboter nicht über die mobile APP gesteuert werden kann, fahren Sie bitte mit dem Roboter zu der Stelle, die Sie reinigen möchten. Halten Sie die Taste 3 Sekunden lang gedrückt, und der Roboter reinigt zweimal im Bereich von 2mx2m um sich selbst zentriert.



6. REINIGUNGSEINSTELLUNGEN



MEHR OPTIONEN

Timer*

Stellen Sie einen Timer ein, um den Roboter so zu programmieren, dass er zu einer bestimmten Zeit oder an einem bestimmten Tag reinigt.

Handbuch

Steuern Sie den Roboter manuell mit der Fernbedienung oder verwenden Sie die Bluebot-App auf Ihrem Smartphone als Fernbedienung.

Roboter finden

Tippen Sie auf diese Schaltfläche, wenn Sie Ihren Roboter verloren haben und Ihr Roboter wird Ihnen sagen, wo er sich befindet.

Kartenverwaltung*

Verwenden Sie diese Funktion, um Ihre Karten zu verwalten (max. 5).

Wassereinstellung

Kontrollieren Sie die Wasserregulierung und wählen Sie zwischen „Niedrig“, „Mittel“ oder „Hoch“. Dadurch wird reguliert, wie nass der Mopp bei der Verwendung des Roboters wird, einschließlich des 2 in 1 elektrisch gesteuerten Wassertanks.

Auto-Boost*

Auto-Boost erhöht die Saugkraft, wenn der Roboter mehr Reibung bekommt. Dies soll die Saugkraft auf Teppichen erhöhen.

* Nur über die Bluebot App

Benutzerdefinierter Modus*

So kann sich der Roboter pro Bereich merken, welchen Weg er für die Reinigung nehmen soll.

Aufzeichnung*

Sehen Sie sich alle Ihre bisherigen Staubsaugaufzeichnungen an. Sie können sehen, wie viele m² gereinigt wurden und wie lange es gedauert hat. Zuvor gespeicherte Karten können hier auch geladen werden. Dies ist ideal für die Reinigung verschiedener Bereiche (z.B.: obere Etage)

Stimme und Lautstärke*

Richten Sie Ihre Sprache ein und ändern Sie die Lautstärke.

Nicht stören-Modus

Hier können Sie einen „Nicht stören“- Zeitraum festlegen.

Verbrauchsmaterialien und Wartung*

Hier finden Sie eine Übersicht der Verbrauchsmaterialien und zeigen an, wann Verbrauchsmaterialien ausgetauscht oder gewartet werden müssen.

Mehr Informationen*

Hier finden Sie Netzwerk- und Roboterinformationen

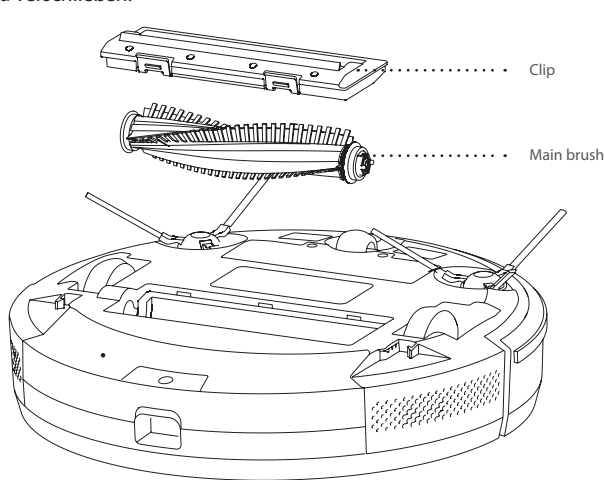
Wand festlegen / Sperrgebiet*

Verwenden Sie diese Funktion, um No-Go-Zonen innerhalb des zu reinigenden Bereiches zu erstellen. Sie können virtuelle Wände zeichnen, die den Roboter am Überqueren hindern. Oder Sie schaffen einen eingeschränkten Bereich zum Staubsaugen oder Wischen.

7. WARTUNG

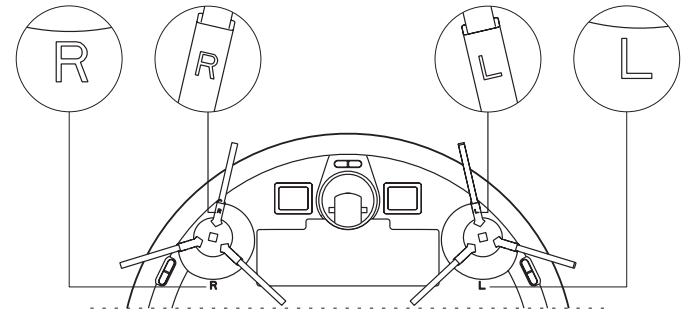
ROLLBÜRSTE | REGELMÄSSIGE REINIGUNG

- 1 Drehen Sie das Gerät um und drücken Sie die Schnalle am Rollbürsten Abdeckung, um die Walzenbürste herauszunehmen. Reinigung des Filterdeckels
- 2 Entfernen Sie Staub außerhalb und innerhalb der Rollbürste mit einer kleinen Bürste und reinigen Sie die Rollbürste.
- 3 Setzen Sie die Walzbürste wieder zusammen und drücken Sie die Walzbürste und den Walzbürstendeckel fest an, um sie wieder vollständig zu verschließen.



SEITENBÜRSTE | REGELMÄSSIGE REINIGUNG

- 1 Drehen Sie die Maschine um und ziehen Sie die Seitenbürste heraus und nach oben
- 2 Entfernen Sie Haare und Schmutz und setzen Sie die Seitenbürste wieder zusammen.
- 3 Stellen Sie sicher, dass die linke Bürste (L) und die rechte Bürste (R) mit L und R auf dem unteren Gussteil übereinstimmen, drücken Sie L und R, um sie wieder zu installieren.

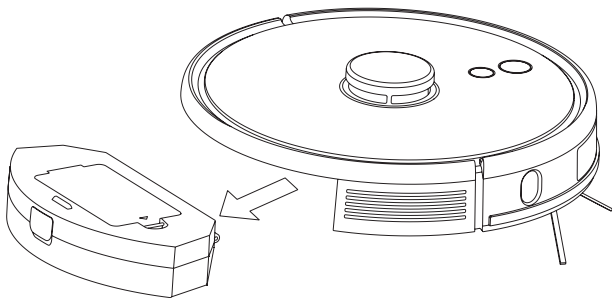


WARTUNG

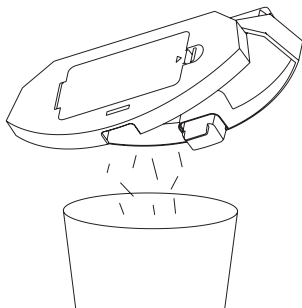


STAUBBEHÄLTERS | REGELMÄSSIGE REINIGUNG

1 Drücken Sie den Knopf und ziehen Sie den Staubbehälter nach hinten hinaus.



2 Öffnen, leeren und reinigen Sie den Staubbehälter.



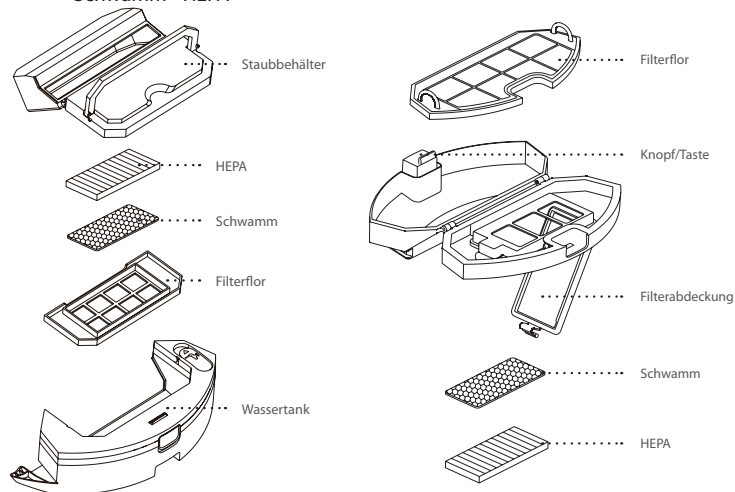
WARTUNG (DER FILTERABDECKUNG) | REGELMÄSSIGE REINIGUNG

3 Entfernen Sie den Filterflor, Schwamm und HEPA.

4 Reinigen Sie bei Bedarf den entfernten Filterflor, Schwamm und HEPA mit Wasser.

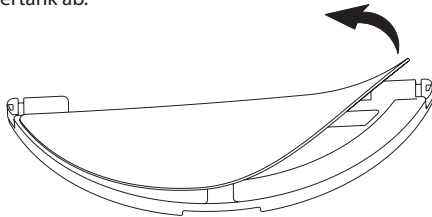
5 Schütteln Sie mögliche Wassertropfen vorsichtig ab und lassen Sie die Bauteile bei Zimmertemperatur trocknen. Verwenden Sie die Bauteile nur, nachdem sie komplett getrocknet sind.

6 Nachdem die Bauteile vollständig getrocknet sind, müssen sie in folgender Reihenfolge wieder in das Gerät eingebaut werden: Filterflor – Schwamm – HEPA

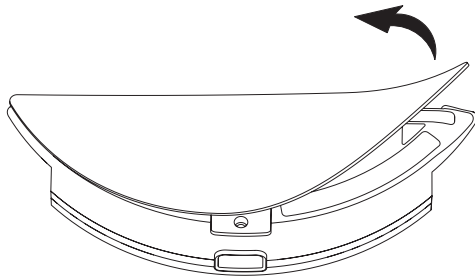


WISCH MODUL | 2 IN 1 ELEKTRISCH KONTROLLIERTER WASSERTANK

1 Entfernen Sie den Wischer und gießen Sie das Wasser aus dem Wassertank ab.



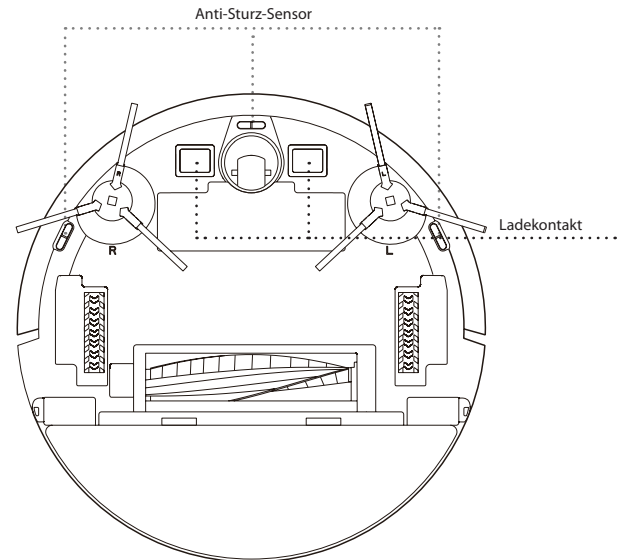
2 Einigen Sie den Wischer und trocknen Sie den Wassertank und den Wischer



SENSOR | REGELMÄSSIGE REINIGUNG

Reinigen Sie die Sensoren mit einem weichen Tuch, inklusive:

- 1** Der drei Anti-Sturz-Sensoren an der Unterseite des Roboters.
- 2** Des Stromschlagschutzes und der Stifte zum Verbinden mit der Ladestation an der Unterseite des Roboters (bitte entfernen Sie den Roboter vom Strom während der Reinigung)
- 3** Des Signalübertragungsbereiches der Ladestation.



WARTUNG

BATTERIE

- Das Gerät ist mit Hochleistungs-Lithium-Ionen-Batterien ausgestattet.
- Bitte halten Sie das Gerät im täglichen Gebrauch aufgeladen, um die Batterieleistung aufrechtzuerhalten.
- Wenn das Gerät längere Zeit nicht benutzt wird, fahren Sie es bitte herunter und bewahren Sie es ordnungsgemäß auf.
- Laden Sie es mindestens alle drei Monate auf, um eine Beschädigung der Batterien durch übermäßige Entladung zu vermeiden.

AKTUALISIERUNG DER FIRMWARE

- Aktualisieren Sie die Firmware mit der mobilen App. Wenn eine neue Firmware erkannt wird, aktualisieren Sie diese gemäß der Eingabeaufforderung.
- Der Akkuladestand sollte während des Firmware-Upgrades $\geq 50\%$ betragen, daher sollte das Gerät bei Bedarf zum Laden auf die Ladestation gestellt werden, bevor das Firmware-Upgrade durchgeführt wird.

SYSTEM RESET

- Nehmen Sie den Staubbehälter ab und drücken Sie die „Reset-Taste“. Stellen Sie sicher, dass Sie den Roboter wieder auf die Dockingstation setzen.
- Die aktuelle Karte und das aktuelle Timing gehen verloren, WLAN und personalisierte Einstellungen werden nach dem Zurücksetzen wiederhergestellt.

8. GRUNDSÄTZLICHE PARAMETER

GERÄT

Einzelheiten	Parameters
Modell	BLUEBOT XTREME
Gesamtgröße	350X350X100mm
Gewicht des Produkts	3.2 kg
Li-Batterie	5000mAh
Nennspannung	14.4V
Nennleistung	50W

LADESTATION

Einzelheiten	Parameters
Gesamtgröße	160x143X80mm
Nennleistung	24W
Bemessungsleistung	24W

9. NUTZUNGSBESCHRÄNKUNGEN

- Das Produkt wird nur zur Bodenreinigung in einer häuslichen Umgebung verwendet und kann nicht im Freien (wie einer offenen Terrasse), nicht auf Erhöhungen (wie einem Sofa) sowie in gewerblichen oder industriellen Umgebungen verwendet werden.
- Bitte verwenden Sie das Produkt nicht für Erhöhungen (wie in einem Penthouse, einer offenen Terrasse und Möbelplatten) ohne einen Schutzzaun.
- Bitte verwenden Sie das Produkt nicht bei einer Temperatur über 40°C oder unter 0°C oder wenn sich Flüssigkeiten und klebrige Substanzen auf dem Boden befinden.
- Heben Sie vor dem Gebrauch auf alle Kabel, die auf dem Boden liegen, um ein Ziehen durch den Roboter zu vermeiden.
- Bitte entfernen Sie zerbrechliche Gegenstände und Verunreinigungen (wie Vasen und Plastiktüten usw.) vom Boden, um zu vermeiden, dass Wertsachen beschädigt werden, wenn der Roboter festsetzt oder leicht dagegen stößt.
- Personen mit einer körperlichen und/oder geistigen Beeinträchtigung oder Wahrnehmungsstörung (einschließlich Kinder) dürfen das Produkt nicht verwenden oder bedienen.
- Dies ist kein Spielzeug für Kinder. Bitte halten Sie Kinder und Haustiere fern, wenn der Roboter arbeitet.
- Bitte bewahren Sie die Hauptbürste und andere Reinigungswerkzeuge außerhalb der Reichweite von Kindern auf.
- Bitte stellen Sie keine Gegenstände (einschließlich Kinder und Haustiere) auf eine stationäre oder sich bewegliche Maschine.
- Bitte halten Sie Haare, Finger und andere Körperteile sowie Haustiere vom Saugeinlass fern, wenn die Maschine in Betrieb ist.
- Bitte verwenden Sie das Produkt nicht zum Aufsaugen von brennenden Gegenständen (z. B. einem brennenden Zigarettensammel).
- Bitte verwenden Sie das Produkt nicht zum Reinigen von langhaarigen

Teppichen (einige dunkle Teppiche können möglicherweise nicht normal gereinigt werden).

- Bitte verhindern Sie, dass der Roboter harte oder scharfe Gegenstände einsaugt (wie z. B. Dekorationsabfall, Glas- und Eisennägel usw.).
- Bitte bewegen Sie die Maschine nicht, indem Sie die Schutzabdeckung des Laserabstandsensors und Kollisionsschutzes festhalten oder ziehen.
- Bitte reinigen oder warten Sie den Roboter und die Ladestation im ausgeschalteten oder wenn die Stromversorgung unterbrochen wurde.
- Wischen Sie die Teile des Produkts weder mit einem nassen Tuch noch einer Flüssigkeit ab.
- Bitte verwenden Sie das Produkt gemäß der Bedienungsanleitung. Für Schäden und Verletzungen, die durch unsachgemäßen Gebrauch entstehen, ist der Benutzer selbst verantwortlich.
- Bitte verwenden Sie die Wischfunktion nicht für Teppiche und Möbelplatten.
- Entfernen Sie unbedingt den Wassertank, wenn die Maschine geladen wird.
- Bitte stellen Sie sicher, dass der Roboter während des Transports abgeschaltet ist und das Produkt sollte in seiner Originalverpackung transportiert werden.
- Wenn der Roboter über einen längeren Zeitraum nicht benutzt wird, sollte er vollständig aufgeladen werden und dann an einem kühlen und trockenen Ort aufbewahrt werden. Laden Sie den Roboter mindestens alle drei Monaten auf, um eine Beschädigung der Batterien durch übermäßige Entladung zu vermeiden.
- Sie dürfen keine Reinigungsmittel im Wassertank verwenden, da dies zu einer Verstopfung der Wasserzufuhr zum Mopp

10. PROBLEMBEHEBUNG

PROBLEM	LÖSUNG
Der Roboter startet nicht	<ul style="list-style-type: none">• Bei niedrigem Akkustand stellen Sie den Roboter bitte auf die Ladestation und stellen Sie sicher, dass die Ladeplatten von Roboter und Ladestation miteinander verbinden. Der Roboter wird automatisch starten (wenn der Roboter komplett ausgeschaltet ist, kann er automatisch gestartet werden, nachdem es eine Zeit lang aufgeladen wurde).• Dies kann passieren, wenn die Umgebungstemperatur niedriger als 0°C oder höher als 40°C ist, bitte verwenden Sie es bei einer Temperatur zwischen 0-40°C.
Der Roboter kann nicht geladen werden	<ul style="list-style-type: none">• Bitte entfernen Sie den Roboter von der Ladestation und prüfen Sie, ob die Kontrollleuchte der Ladestation leuchtet. Vergewissern Sie sich, dass beide Enden des Netzadapters der Ladestation richtig angeschlossen sind. Stellen Sie sicher, dass die Ladestation korrekt vor dem Roboter positioniert ist und dass der Abstand zwischen der Vorderseite des Roboters und der Ladestation etwa 2 cm beträgt.• Prüfen Sie, ob ein schlechter Kontakt zwischen den Ladeplatten des Roboters und der Ladestation besteht, reinigen Sie bitte die Ladeplatten oder schieben Sie die Seitenbürsten zur Seite, wenn diese die Verbindung zwischen den Ladeplatten blockieren.
Der Roboter lädt nicht nach	Der Roboter ist zu weit von der Ladestation entfernt. Bitte stellen Sie den Roboter in die Nähe der Ladestation und versuchen Sie es nochmals.
Abnormales Verhalten	Schalten Sie den Roboter aus durch langes Drücken der Ein-/Aus-Taste und starten Sie den Roboter nach 10 Minuten neu.
Abnormales Rauschen	Die Hauptbürste, die Seitenbürste oder das Universalrad können mit Fremdmaterialien verwickelt sein. Bitte schalten Sie den Roboter aus und entfernen Sie die Fremdmaterialien.
Reinigungsfähigkeit nimmt ab oder Staub fällt aus	<ul style="list-style-type: none">• Der Staubbehälter ist voll, bitte entleeren Sie ihn• Der Filter ist verstopft, bitte reinigen oder ersetzen Sie ihn• Die Hauptbürste ist mit Fremdmaterialien verfilzt, bitte reinigen Sie sie
Wi-Fi kann nicht verbunden werden	<ul style="list-style-type: none">• Das Wi-Fi-Signal ist schlecht, bitte stellen Sie sicher, dass ein gutes Wi-Fi-Signal vorhanden ist.• Die Wi-Fi-Verbindung ist abnormal, bitte setzen Sie das Wi-Fi (Router) zurück, laden Sie die neueste APP herunter und versuchen Sie, es nochmals zu verbinden• Das Passwort ist falsch• Das Wi-Fi ist entweder auf dem 5-Ghz-Frequenzband oder auf einem gemischten Band von 2,4 und 5 Ghz. Der Reinigungsroboter verwendet nur das 2,4-Ghz-Frequenzband. Bitte melden Sie sich an Ihrem Router an und stellen Sie sicher, dass die beiden Ghz-Frequenzen in 2,4 und 5 Ghz aufgeteilt sind und geben Sie diesen unterschiedliche Namen. Anweisungen dazu finden Sie in Ihrem Router-Handbuch.
Zeitgesteuerte Reinigung schlägt fehl	Bei niedrigem Batteriestand kann Die zeitgesteuerte Reinigung nur gestartet werden, wenn der Batteriestand 30 % oder mehr beträgt
Verbraucht der Roboter Strom, wenn er auf die Ladestation gestellt wird	Der Roboter verbraucht nur wenig Strom, wenn er auf der Ladestation steht. Dadurch wird die beste Leistung des Akkus sichergestellt.
Der Roboter dreht sich immer weiter	<ul style="list-style-type: none">• Nehmen Sie den Wassertank und/oder Staubbehälter heraus• Drücken Sie die Reset-Taste für 2 Sekunden
Mein Wischtuch ist schmutzig	Sie können diese bei maximal 40 Grad mit der Hand oder in der Waschmaschine waschen, dürfen aber nicht in den Trockner und sollten natürlich getrocknet werden.

11. GARANTIE & RECYCLING

Dieses Produkt hat 2 Jahre Garantie auf Herstellungsfehler. Die Garantiezeit wird ab dem Kaufdatum des Produkts gemäß der Kaufrechnung gerechnet. Die Produktgarantie deckt nur Fabrikationsfehler ab. Defekte, die durch unsachgemäßen Gebrauch entstanden sind, sind von der Garantie nicht abgedeckt, wie z. B. (aber nicht beschränkt auf) Fallenlassen des Roboters, unsachgemäßer Transport, Anschluss an das Stromnetz, der nicht der in dieser Anleitung angegebenen Spannung entspricht, Einführen von Fremdkörpern und natürliche Abnutzung von Teilen wie Kunststoffteilen (Kappen, Tasten, Griffe, Riegel, Stromkabel usw.) und Metallteilen (Drähte, Motoren usw.).

Ebenfalls nicht abgedeckt sind Schäden durch Naturgewalten, Blitzschlag, Lebensmittel, Meer, Oxidation, Feuchtigkeit usw.). Das Produkt verliert seine Garantie, wenn es Defekte aufweist, die nach Analyse durch unsere Techniker als unsachgemäße Verwendung, Verwendung für den professionellen Gebrauch oder für den Zweck, für den es nicht bestimmt ist (gemäß der Bedienungsanleitung), gekennzeichnet sind. Die Garantie erlischt, wenn sich herausstellt, dass das Gerät manipuliert wurde oder von einer nicht von Blaupunkt autorisierten Person oder Dienstleistung repariert wurde. Die Garantie ist nur mit der beim Kauf vorgelegten Quittung/Rechnung gültig.

Blaupunkt verpflichtet sich, die o.g. Leistungen in der Garantiezeit nur dort zu erbringen, wo es einen autorisierten Service unterhält. Verbraucher, die sich nicht in der Nähe einer autorisierten Servicestelle befinden, tragen die Kosten und das Risiko des Transports zu einer autorisierten Servicestelle ihrer Wahl.

Natürlicher "Verschleiß" ist nicht von der Garantie abgedeckt.

Dieses Produkt ist nur für den Hausgebrauch bestimmt.



ENTSORGUNG UND RECYCLING

Diese Kennzeichnung zeigt an, dass dieses Produkt in der gesamten EU nicht mit anderen Haushaltsabfällen entsorgt werden darf. Um mögliche Schäden für die Umwelt oder die menschliche Gesundheit durch unkontrollierte Abfallentsorgung zu vermeiden, recyceln Sie es verantwortungsbewusst, um die nachhaltige Wiederverwendung von Materialressourcen zu fördern. Um Ihr Altgerät zurückzugeben, nutzen Sie bitte die Rückgabe- und Sammelsysteme oder wenden Sie sich an den Händler, bei dem das Produkt gekauft wurde. Diese können das Produkt einem umweltgerechten Recycling zuführen.

Bienvenue!

Nous vous remercions d'avoir choisi le Blaupunkt **Bluebot XTREME**.

Avec ce manuel, nous souhaitons vous aider à configurer et à utiliser votre robot Blaupunkt Bluebot.

Pour obtenir des vidéos supplémentaires, des conseils et des astuces, des FAQ ou des informations de contact, consultez le site

www.blaupunktrobotics.eu/support

Dans ce manuel, vous trouverez les rubriques suivantes pour vous aider à configurer votre robot.

1	Règles de sécurité	45
2	Informations sur le produit	47
3	Installation du robot	50
4	Installation de l'application Bluebot	53
5	Utilisation du robot	55
6	Paramètres de nettoyage	56
7	Entretien	57
8	Paramètres de base	61
9	Limites d'utilisation	62
10	Dépannage	63
11	Garantie	64

1. RÈGLES DE SÉCURITÉ

RÈGLES GÉNÉRALES DE SÉCURITÉ :

Avant d'utiliser ce produit, veuillez lire les instructions de sécurité suivantes et suivre toutes les mesures de sécurité habituelles.

Veuillez lire attentivement les instructions, veuillez les conserver.

Toute opération non conforme à ce manuel d'instructions peut endommager ce produit.

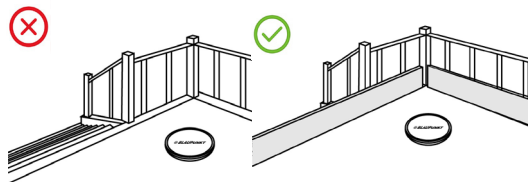
AVERTISSEMENT:

- Utilisez uniquement la batterie rechargeable d'origine et la station de charge spécialement équipée par le fabricant. Les batteries non rechargeables sont strictement interdites. Veuillez vous reporter aux "paramètres du produit" pour obtenir des informations sur les spécifications des batteries.
- Il est interdit d'utiliser les produits dans des environnements avec des flammes nues ou des objets fragiles.
- Il est interdit d'utiliser les produits dans des environnements extrêmement chauds (plus de 40 °C) ou extrêmement froids (moins de 0 °C).
- Il est interdit d'approcher des cheveux humains, des vêtements, des doigts et d'autres éléments des parties d'ouverture et de fonctionnement du produit.
- Il est interdit d'utiliser les produits sur un sol humide ou stagnant.
- Il est interdit d'utiliser le produit à proximité d'un objet brûlant ou extrêmement chaud, par exemple une cheminée allumée.
- Il est interdit d'absorber des objets tels que des pierres ou des déchets de papier qui pourraient obstruer le produit.
- Il est interdit aux produits d'absorber des substances inflammables, telles que l'es-
sence, le toner et le toner pour imprimantes ou photocopieuses. Interdisez l'utilisation des produits dans des zones propres avec des éléments inflammables.

- Il est interdit aux produits D13 des articles en feu, tels que cigarettes, allumettes, cendres et autres articles susceptibles de provoquer un incendie.
- Il est interdit de placer des articles au niveau de l'orifice d'aspiration. N'utilisez pas le produit lorsque l'orifice d'aspiration est bloqué. Nettoyez la poussière, le coton, les cheveux, etc. au niveau de l'orifice d'aspiration afin de garantir une circulation d'air fluide au niveau de l'orifice d'aspiration.
- Utilisez le cordon d'alimentation avec précaution pour éviter de l'endommager. Il est interdit d'utiliser le cordon d'alimentation pour traîner ou tirer le produit et la station de charge du produit. Il est interdit d'utiliser le cordon d'alimentation comme une poignée. Il est interdit de coincer le cordon d'alimentation dans la fente de la porte. Il est interdit de tirer le cordon d'alimentation dans les coins et les angles aigus. Il est interdit de faire fonctionner le produit sur le cordon d'alimentation, ce dernier devant être éloigné de la source de chaleur.
- N'utilisez pas une station de charge endommagée.
- Même si le produit a été gravement endommagé, il est interdit de le brûler, ce qui pourrait entraîner l'explosion de la batterie du produit.

RÈGLES DE SÉCURITÉ

NOTE:

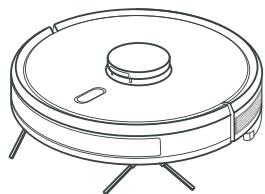


- Seuls les techniciens autorisés peuvent démonter ce produit. Il n'est pas recommandé aux utilisateurs de démonter ce produit eux-mêmes.
- Ce produit ne peut utiliser que l'adaptateur d'alimentation fourni par l'usine. Si d'autres adaptateurs sont utilisés, le produit peut être endommagé.
- Ne touchez pas les fils, les prises ou les adaptateurs d'alimentation lorsque vos mains sont mouillées.
- N'utilisez pas de rideaux en tissu ou de parties du corps pour rouler dans les roues motrices du produit.
- Ne placez pas ce produit à proximité de mégots de cigarettes, de briquets ou d'autres feux couvants.
- Veuillez nettoyer le produit après l'avoir chargé.
- Ne pliez pas les fils de manière excessive et ne placez pas d'objets lourds ou pointus sur l'appareil.
- Ce produit est un produit ménager d'intérieur. Ne l'utilisez pas à l'extérieur.
- Ne vous asseyez pas sur le produit.
- N'utilisez pas ce produit (par exemple, dans la salle de bains) dans un environnement humide.
- Avant d'utiliser ce produit, veuillez retirer tous les objets vulnérables (ex. : lunettes,

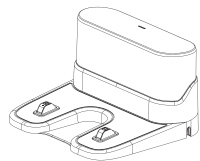


- lampes, etc.) sur le sol ainsi que les objets (ex. : fils, feuilles de papier, rideaux) qui pourraient s'emêler dans les brosses latérales et les passages d'aspiration d'air.B14
- Ne placez pas ce produit dans un endroit où il est facile de tomber (par exemple, sur les bureaux et les chaises près de l'escalier).
- Vérifiez soigneusement que l'adaptateur d'alimentation est connecté à la prise avant de l'utiliser. avant de l'utiliser, sinon la batterie pourrait être endommagée.
- Pour éviter de trébucher, veuillez informer les autres membres de la maison lorsque ce produit fonctionne.
- Veuillez vider le bac à poussière avant d'utiliser ce produit lorsque le bac à poussière est plein.
- La température utilisée pour ce produit est de 0 à 40 degrés Celsius.
- N'utilisez pas ce produit dans des environnements à haute température.
- Veuillez retirer la batterie de la machine avant de mettre le produit au rebut.
- Assurez-vous que ce produit n'est pas sous tension lorsque vous retirez la batterie.
- Veuillez recycler les piles mises au rebut en toute sécurité.
- Il est recommandé de bloquer la sortie des escaliers ou les zones où le robot peut tomber. Les capteurs anti-chute empêchent le robot de dévaler les escaliers et les pentes abruptes. Cependant, ils peuvent être moins efficaces lorsqu'ils sont sales ou utilisés sur des sols réfléchissants/de couleur très foncée.

2. INFORMATIONS SUR LE PRODUIT



Robot XTREME



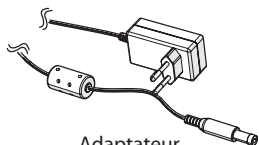
Station de charge



Manuel d'instruction



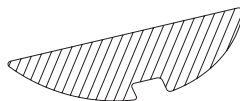
Brosse latérale (4x)



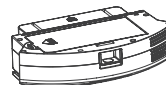
Adaptateur



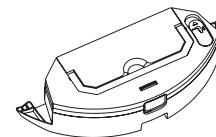
Brosse de nettoyage
avec couteau



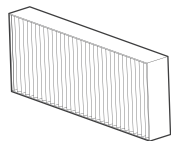
Chiffon de nettoyage
(2x)



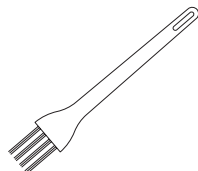
Poubelle à poussière



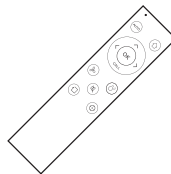
Réservoir d'eau 2 en 1 à
commande électrique



Filtre HEPA + filtre
éponge (2x)



Brosse de nettoyage



Télécommande



Piles (2x)

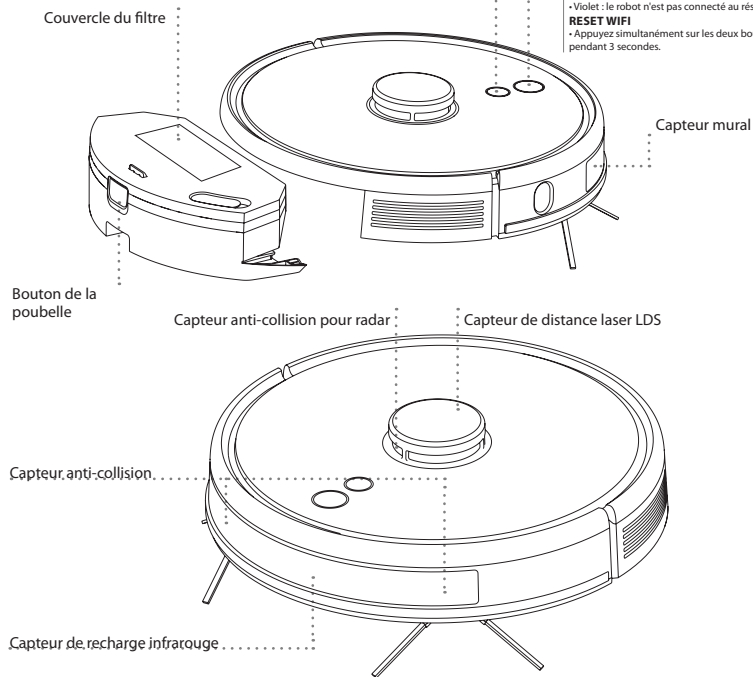


Brosse roulante en spirale

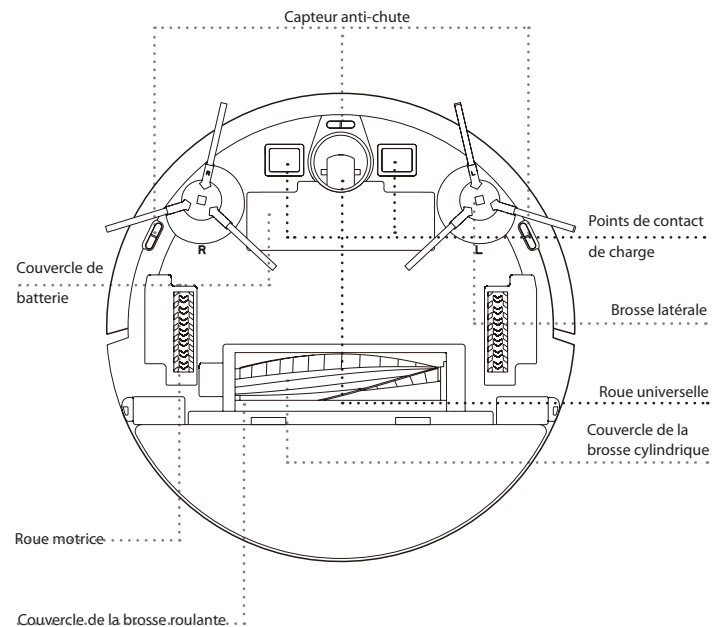
INFORMATIONS SUR LE PRODUIT



TOP & FRONT



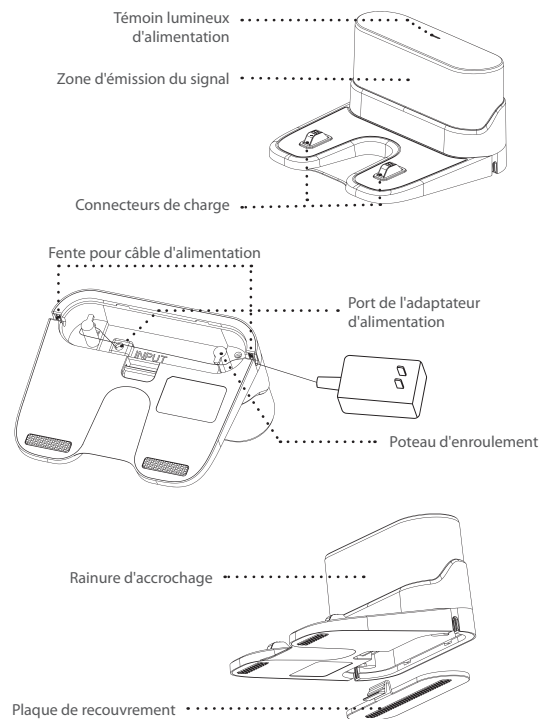
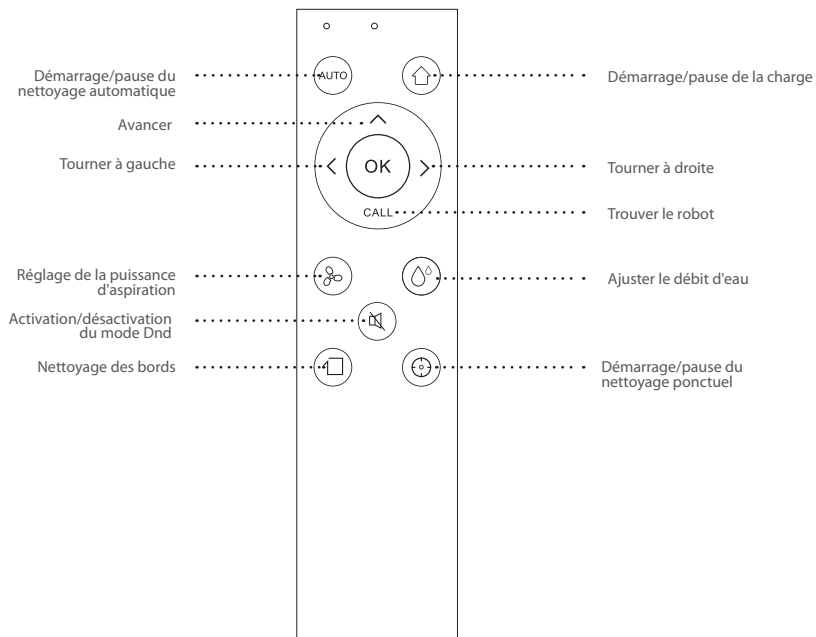
BOTTOM



INFORMATIONS SUR LE PRODUIT



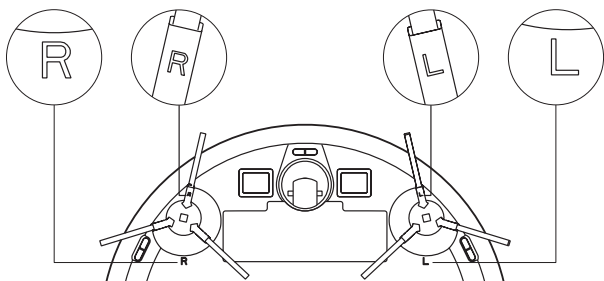
TÉLÉCOMMANDE ET STATION DE CHARGE



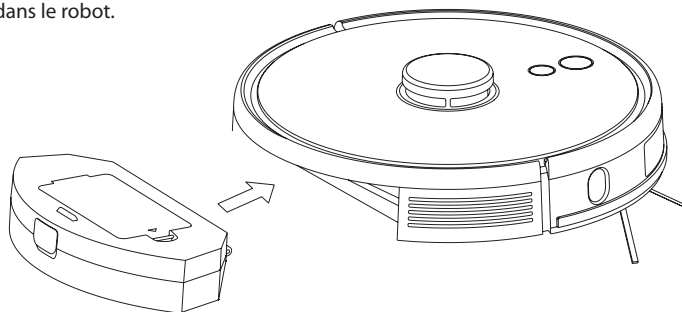
3. INSTRUCTIONS D'INSTALLATION ROBOT

ASSEMBLAGE DU PRODUIT

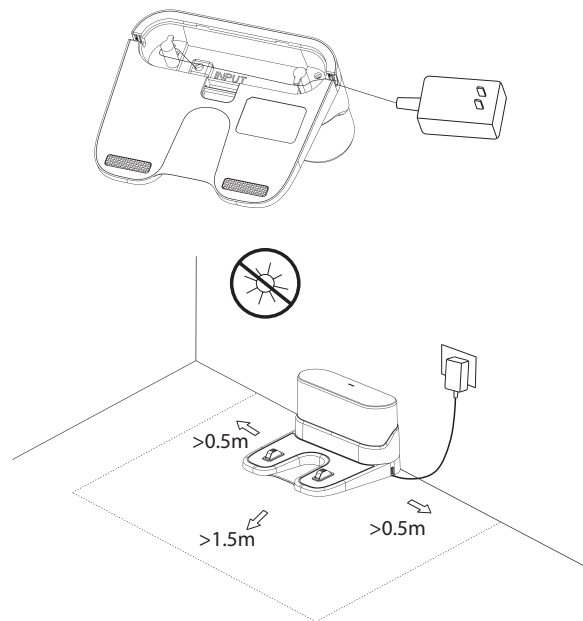
1 Installez les brosses. Faites correspondre la brosse latérale gauche (L) et la brosse latérale droite (R) à L et R sur le boîtier inférieur, continuez à appuyer sur L et R et sur les brosses latérales. Elles sont installées lorsque vous entendez un "clac".



2 Placez le bac à poussière ou le réservoir d'eau combiné 2 en 1 dans le robot.



3 Installez la station de charge



4 Chargez complètement le robot (avant la première utilisation).

5 Connectez-vous à l'application Bluebot (en option)

6 Commencez le nettoyage

INSTRUCTIONS D'INSTALLATION ROBOT



NOTE

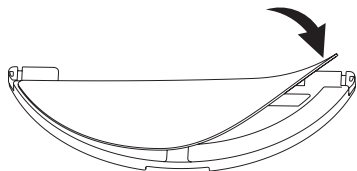
- Veuillez ne pas déplacer la station de recharge sans raison et ne pas l'exposer à la lumière directe du soleil.
- Si la station de recharge est déplacée, le robot peut échouer dans son positionnement et perdre la carte. Au redémarrage, le robot reconstruit et mémorise la carte. Dans la carte reconstruite, les informations de nettoyage des zones interdites et d'autres zones peuvent avoir été perdues
- La lumière directe du soleil interfère avec le signal de recharge et, par conséquent, le robot peut être incapable de retourner à la station de recharge
- Le robot ne peut pas être utilisé pour retirer des liquides. B76
- Si le niveau de la batterie est inférieur à 20%, la machine ne fonctionnera pas. Veuillez le charger.
- La machine retournera automatiquement à la station de charge si le niveau de la batterie est inférieur à 20 % lors de l'utilisation et s'éteindra puis commencera à nettoyer automatiquement lorsque le niveau de la batterie atteindra 80%.
- Veuillez dégager les différents fils (y compris la ligne d'alimentation de la station de charge) du sol avant l'utilisation afin d'éviter toute panne et tout dommage aux objets ou aux fils lorsque ceux-ci sont trainés par le robot.

INSTRUCTIONS D'INSTALLATION ROBOT

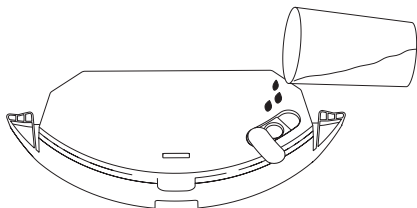


INSTALLATION DU MODULE DE MOPPING

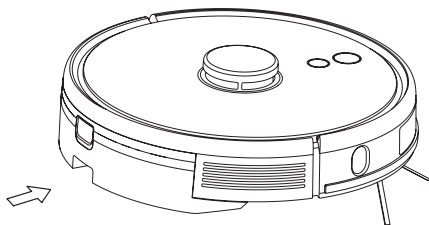
1 Collez le chiffon à plat sur le fond du réservoir d'eau.



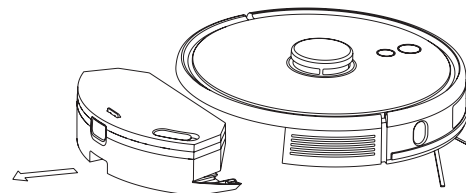
2 Remplir le réservoir d'eau : décollez le couvercle et remplissez-le d'eau.



3 Appuyez et maintenez le bouton au milieu du réservoir et poussez-le horizontalement le long de l'arrière du robot. Le module est correctement en place si vous entendez le son d'un "clic".



4 Retirer le module de nettoyage. Lorsque le robot a terminé son travail, appuyez sur le bouton situé au milieu du réservoir d'eau pour retirer le module de nettoyage. bouton situé au milieu du réservoir d'eau pour retirer le module de lavage. vers l'arrière, videz l'eau du réservoir d'eau et nettoyez le et nettoyez le chiffon (ne bougez pas et ne retournez pas le robot pendant le nettoyage).



REMARQUES CONCERNANT LE MODULE DE LAVAGE

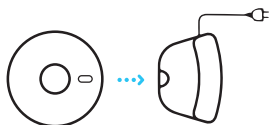
- N'utilisez pas le module de lavage après l'avoir laissé inutilisé.
- Pour des raisons de sécurité, veuillez à retirer le module de lavage lorsqu'il est chargé ou inutilisé.
- Veuillez ne pas passer la serpillière sur la moquette. Définissez une zone interdite dans l'application Bluebot pour empêcher la machine d'aller sur la moquette.
- Pour obtenir un meilleur effet de vadrouille, le module de vadrouille doit être installé après avoir retiré et réassemblé le module de vadrouille conformément à l'étape 3. Ne déplacez pas et ne retournez pas le robot, sinon il pourrait échouer dans son positionnement, perdre sa carte et "oublier" les zones interdites. "oublier" les zones interdites qui sont programmées.
- La fonction mopping de la machine est destinée à essuyer et n'est pas propice à un nettoyage en profondeur. Elle ne peut pas éliminer efficacement les taches tenaces et remplacer la main d'œuvre.
- Veuillez ne pas utiliser de détergent dans le réservoir d'eau pour éviter qu'il ne se bouche.
- Le robot ne peut pas être utilisé pour enlever des liquides.

4. INSTALLATION DE L'APPLICATION BLUEBOT



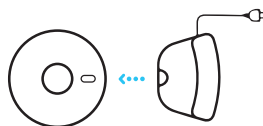
APPLICATION BLUEBOT 1 Chargement complet du robot 2 Téléchargement de l'application Bluebot 3 Étapes de l'enregistrement 4 Connexion du robot avec l'application (étapes)

1



"Placez le robot dans la station de charge pour le recharger. Assurez-vous qu'il est entièrement chargé avant de l'utiliser."

2



Retirez le robot de la station de charge.

3



Assurez-vous que le robot est allumé, en maintenant le bouton "On" enfoncé pendant quelques secondes sur le dessus du robot. Attendez que le robot ait complètement démarré.

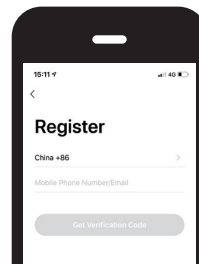
4



Téléchargez l'application Bluebot. L'application est disponible sur le Appstore et Google Play.

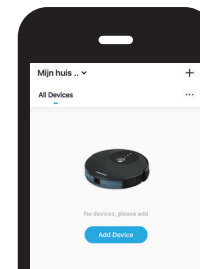
5

Enregistrez un nouveau compte si vous n'êtes pas encore un utilisateur existant.



6

Ouvrez l'application Bluebot et appuyez sur l'icône "+" pour ajouter votre appareil.



INSTALLATION DE L'APPLICATION BLUEBOT



7



Sélectionnez le dispositif que vous souhaitez ajouter.

8

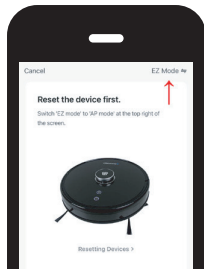
Sélectionnez votre réseau wifi, entrez le mot de passe et appuyez sur la touche de confirmation.

Seuls les réseaux wi-fi de 2,4 GHz sont pris en charge. Veuillez consulter le manuel de votre routeur pour obtenir de l'aide.




9

Sélectionnez 'AP mode' dans le supérieur droit.



10

Après votre enregistrement, assurez-vous que le robot est retiré de sa station de charge. Allumez votre robot en appuyant sur le bouton 'On'. Après cela, appuyez simultanément sur les boutons 'Home' et 'On' pendant plus de 3 secondes jusqu'à ce que le robot vous indique qu'il a perdu sa connexion wifi.




11

Cliquez sur le bouton "Go to connect" en bas de votre écran.



12

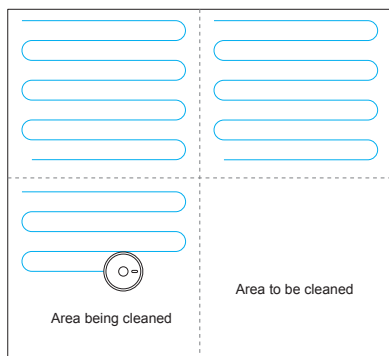
Sélectionnez le réseau "SmartLife xxx" dans la liste et retournez à l'application Bluebot. Votre robot va maintenant se connecter à l'application.



5. UTILISATION DU ROBOT

MODE NETTOYAGE

Une fois le robot mis sous tension, il scanne et génère la carte et la divise en zones de manière intelligente. Il balaie ensuite les zones une par une le long du mur de manière ordonnée, efficace et minutieuse et planifie l'itinéraire de nettoyage en forme d'arc. Le robot retourne automatiquement à la station de charge après le nettoyage.



NOTE

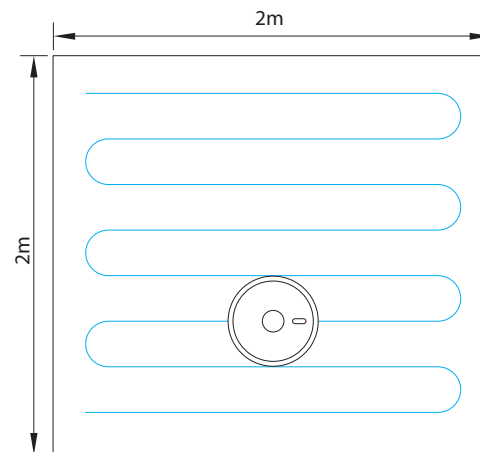
Ne déplacez pas le robot de manière désinvolte et fréquente lorsqu'il est en cours de nettoyage. Après avoir été déplacé, veuillez replacer le robot près de sa position initiale. Lorsqu'il redémarrera, il essaiera de se repositionner. Une fois le positionnement réussi, il suit la trajectoire prévue et continue à travailler. Si le positionnement échoue, le robot abandonne la mission précédente, établit une carte et recommence le nettoyage.

NETTOYAGE SPOT

Lorsqu'une zone locale a besoin d'un balayage en profondeur, l'utilisateur spécifie un point sur la carte de l'APP, la machine se déplace automatiquement à proximité du point, prend le point comme centre et nettoie dans un rayon de 1,5m x 1,5m.

NETTOYAGE PARTIEL

Lorsque le robot ne peut pas être contrôlé par l'APP mobile, veuillez déplacer le robot à l'endroit que vous souhaitez nettoyer. Appuyez longuement sur le bouton pendant 3 secondes, et le robot nettoiera deux fois dans un périmètre de 2mx2m en se centrant sur lui-même.



6. PARAMÈTRES DE NETTOYAGE

PLUS D'OPTIONS

Minuterie*

Réglez une minuterie pour programmer le robot afin qu'il nettoie à une certaine heure ou un certain jour.

Manuel

Contrôlez le robot manuellement à l'aide de la télécommande ou utilisez l'application bluebot sur votre téléphone comme télécommande.

Trouver le robot

Touchez ce bouton lorsque vous avez perdu votre robot et celui-ci vous dira où il se trouve.

Gestion des cartes*

Utilisez cette fonction pour gérer vos cartes (5 maximum).

Régulation de l'eau

Contrôlez la régulation de l'eau et choisissez "Low", "Medium" ou "High". Cela permet de réguler le degré de mouillage de la serpillière lors de l'utilisation du robot, y compris le réservoir d'eau à commande électrique 2 en 1.

Auto Boost*

L'Auto Boost augmente la puissance d'aspiration lorsque le robot subit une friction plus importante. Cette fonction est conçue pour augmenter l'aspiration sur les tapis.

Mode personnalisé*

Pour que le robot puisse se souvenir, pour chaque zone, du chemin à emprunter pour le nettoyage.

Enregistrement*

Affichez tous vos enregistrements d'aspirateurs précédents. Vous pouvez voir combien de m² ont été nettoyés et le temps que cela a pris. Vous pouvez également charger ici les cartes précédemment enregistrées. Idéal pour nettoyer différentes zones (étage supérieur par exemple).

Voix et volume

Réglez votre langue et modifiez le volume.

Mode "Ne pas déranger"

Vous pouvez programmer une période de non-dérangement.

Consommables et maintenance*

Vous trouverez ici un aperçu des consommables et vous indiquerez quand les consommables doivent être remplacés ou quand une maintenance est nécessaire.

Plus d'informations*

Vous trouverez ici des informations sur le réseau et le robot.

Définir un mur / une zone interdite*

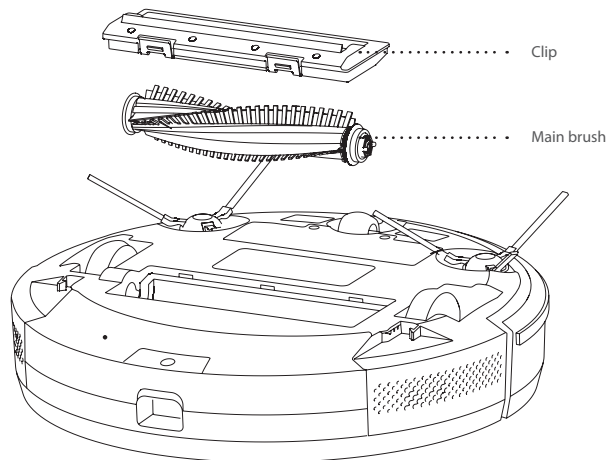
Utilisez cette fonction pour créer des zones interdites dans la zone que vous nettoyez. Vous pouvez dessiner des murs virtuels que le robot ne pourra pas franchir. Vous pouvez également créer une zone restreinte pour l'aspirateur ou le balai.

* Via l'application Bluebot uniquement

7. MAINTENANCE

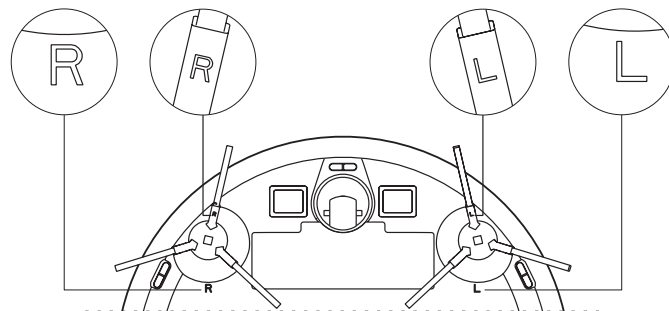
BROSSE À ROULEAU | NETTOYAGE RÉGULIER

- 1 Retournez la machine et appuyez sur la boucle du couvercle de la brosse à rouler pour sortir la brosse roulante. Nettoyez du couvercle du filtre.
- 2 Enlevez la poussière à l'extérieur et à l'intérieur de la brosse roulante à l'aide d'une petite brosse et nettoyez la brosse roulante.
- 3 Remontez la brosse roulante et appuyez fermement sur la brosse roulante et le couvercle de la brosse roulante pour la refermer complètement.



BROSSE LATÉRALE | NETTOYAGE RÉGULIER

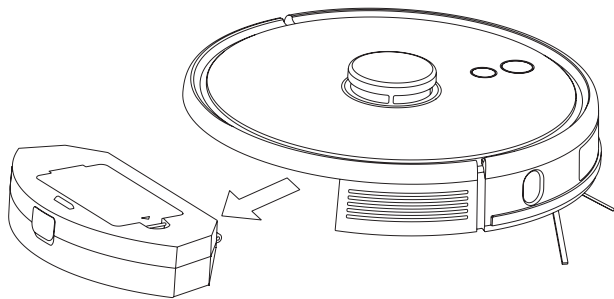
- 1 Retournez la machine et tirez la brosse latérale vers le haut.
- 2 Enlevez les cheveux et la saleté et remontez la brosse latérale.
- 3 Faites correspondre la brosse latérale gauche (L) et la brosse latérale droite (R) à L et R sur le moulage inférieur, appuyez sur L et R pour les réinstaller.



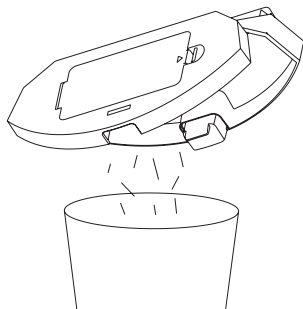
MAINTENANCE

BAC À POUSSIÈRE | NETTOYAGE RÉGULIER

1 Appuyez sur le bouton et tirez la poubelle vers l'arrière.

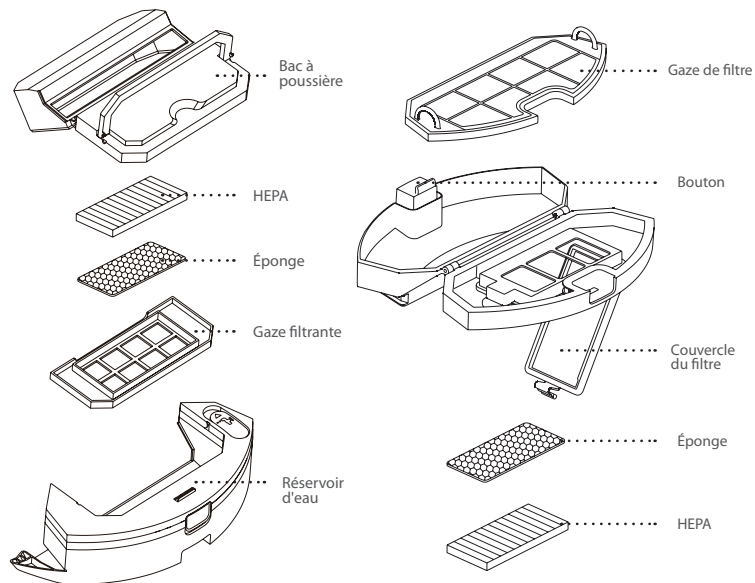


2 Ouvrez, videz et nettoyez le bac à poussière.



FILTRE | NETTOYAGE RÉGULIER

- 1 Retirez la gaze filtrante, l'éponge et le filtre HEPA.
- 2 Nettoyez la gaze filtrante, l'éponge et le HEPA du bac à poussière retirés avec de l'eau si nécessaire.
- 3 Secouez les gouttes d'eau et séchez les pièces naturellement, puis utilisez-les après qu'elles aient complètement séché.
- 4 Une fois secs, installez-les dans l'ordre suivant : gaze filtrante > éponge > HEPA.

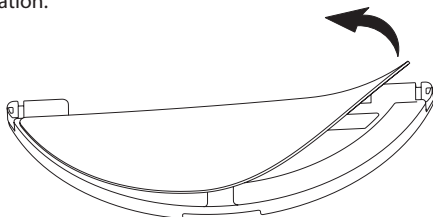


MAINTENANCE

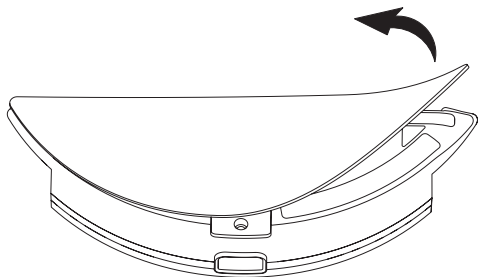


"MODULE DE BALAYAGE | 2 EN 1 À COMMANDE ÉLECTRIQUE RÉSERVOIR D'EAU"

1 Retirez le balai à franges, versez l'eau du réservoir d'eau après chaque utilisation.



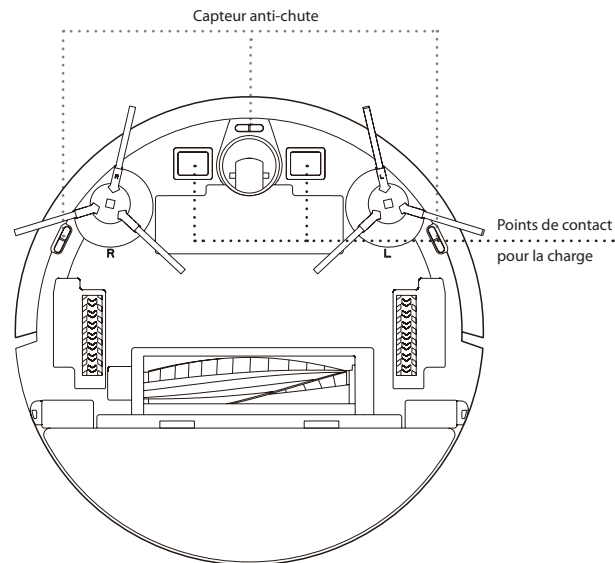
2 Nettoyez le balai (à la main ou dans une machine à laver ; max 40C), séchez-le naturellement, ne le mettez pas au sèche-linge. Séchez le réservoir d'eau à l'air libre.



CAPTEUR | NETTOYAGE RÉGULIER

Nettoyez les capteurs à l'aide d'une serpillière douce et sèche, notamment:

- 1 Les trois capteurs anti-chute situés au bas du robot.
- 2 Le protecteur contre les chocs électriques et les broches de connexion à la station de charge au bas du robot (veuillez couper l'alimentation pendant le nettoyage).
- 3 Zone de transmission du signal de la station de charge.



BATTERIE

- Le robot est équipé de batteries lithium-ion haute performance.
- Pour maintenir les performances des batteries, veuillez garder le robot chargé lors d'une utilisation quotidienne.
- Si le robot reste inutilisé pendant un certain temps, veuillez l'éteindre et le conserver correctement.
- Chargez-le au moins tous les trois mois pour éviter d'endommager les batteries en raison d'une décharge excessive."

MISE À JOUR DU FIRMWARE

- Mettez à jour le micrologiciel en utilisant l'application Bluebot. Si un nouveau firmware est détecté, mettez-le à niveau conformément au rapport.
- Le niveau de la batterie doit être $\geq 50\%$ pendant la mise à niveau du micrologiciel, donc si nécessaire, la machine doit être placée sur la station de charge pour se charger avant que la mise à niveau du micrologiciel ait lieu."

RÉINITIALISATION DU SYSTÈME

- Sortez la poubelle et appuyez sur la touche de réinitialisation. Veuillez à replacer le robot sur sa station de charge.
- La carte et le timing actuels seront perdus, le WIFI et les paramètres personnalisés seront réservés après la réinitialisation."will be reserved after reset.

8. PARAMÈTRES DE BASE

ROBOT

Article	Paramètre
Modèle	BLUEBOT XTREME
Dimension totale	350X350X100mm
Poids du produit	3.2 kg
Batterie Li	5000mAh
Tension nominale	14.4V
Puissance nominale	50W

STATION DE CHARGE

Article	Paramètre
Dimension totale	160x143X80mm
Puissance nominale	24W
Sortie nominale	24W

9. LIMITES D'UTILISATION



- Le produit est uniquement utilisé pour le nettoyage des sols dans un environnement domestique et ne peut pas être utilisé pour un environnement extérieur (tel qu'une terrasse ouverte), non terrestre (tel qu'un canapé), ou un environnement industriel commercial.
- Veuillez ne pas utiliser le produit dans des endroits élevés (tels qu'un balcon, un escalier ouvert, une terrasse ouverte et le dessus des meubles) sans une barrière de protection.
- Veuillez ne pas utiliser le produit à une température supérieure à 40°C ou inférieure à 0°C ou lorsqu'il y a des liquides et des substances collantes sur le sol.
- Veuillez suspendre les câbles au sol avant de les utiliser pour éviter qu'ils ne soient traînés par le robot.
- Veuillez dégager les objets fragiles et les impuretés (tels que les vases et les sacs en plastique, etc.) pour éviter d'endommager les objets de valeur lorsque le robot est bloqué ou subit un léger choc.
- Les personnes souffrant de troubles physiques, mentaux ou perceptifs (y compris les enfants) ne sont pas autorisés à utiliser ou à faire fonctionner le produit.
- Les enfants ne peuvent pas utiliser le produit comme un jouet. Veuillez éloigner les enfants et les animaux domestiques lorsque le robot fonctionne.
- Veuillez garder la brosse principale et les autres outils de nettoyage hors de portée des enfants.
- Veuillez ne pas placer d'objets (y compris des enfants et des animaux domestiques) sur un robot stationnaire ou en mouvement.
- Les enfants ne peuvent pas utiliser le produit comme un jouet. Veuillez éloigner les enfants et les animaux domestiques de l'orifice d'aspiration lorsque le robot fonctionne.
- N'utilisez pas le produit pour nettoyer des objets en feu (mégots de cigarettes, etc.).
- N'utilisez pas le produit pour nettoyer les tapis à poils longs (certains tapis foncés peuvent ne pas être nettoyés normalement).
- Veuillez éviter que le robot n'aspire des objets durs ou pointus (tels que des déchets de matériaux décoratifs, des clous en verre ou en fer, etc.).
- Veuillez ne pas déplacer le robot en tenant le couvercle de protection du capteur de distance laser et du pare-chocs de collision.
- Veuillez nettoyer ou entretenir le robot et la station de charge à l'arrêt.

ou en état d'extinction.

- N'essayez aucune partie du produit avec un chiffon humide ou un liquide quelconque.
- Les LED émettent un rayonnement UV très fort. Ne regardez pas directement dans la lumière LED, les rayons UV peuvent nuire à vos yeux. Pour éviter toute exposition, même légère, porter des lunettes de protection.
- Tenir hors de portée des enfants.
- Veuillez utiliser le produit conformément au manuel d'utilisation. Les utilisateurs sont responsables de tous les dommages et blessures causés par une utilisation incorrecte.

Batterie et Charge :

- Veuillez ne pas utiliser de batterie, de station de charge ou de chargeur fournis par des tiers.
- Veuillez ne pas démonter, rapporter ou remonter la batterie ou la station de charge arbitrairement.
- Veuillez éloigner la station de charge d'une source de chaleur (telle qu'une plaque chauffante).
- Veuillez ne pas essuyer ou nettoyer la saleté de la station de charge avec un chiffon humide ou la main de la loi.
- Ne vous contentez pas d'abandonner les piles usagées. Les piles usagées doivent être éliminées par une agence de recyclage professionnelle.
- Si la ligne électrique est endommagée ou cassée, veuillez la jeter immédiatement et le remplacer par des canaux officiels. Veuillez vous assurer que le robot s'arrête pendant le transport et que le produit doit être transporté dans son emballage d'origine.
- Si le robot reste inutilisé pendant une longue période, il doit être entièrement chargé, puis placé dans un endroit frais et sec. Chargez le robot au moins tous les trois mois pour éviter d'endommager les batteries en raison d'une décharge excessive.
- Vous ne pouvez pas utiliser de produits détergents dans le réservoir d'eau, car cela peut entraîner un blocage de l'alimentation en eau du balai à franges.

10. DÉPANNAGE

PROBLÈME	SOLUTION
Le robot ne démarre pas	<ul style="list-style-type: none"> En cas de batterie faible, placez le robot sur la station de charge et assurez-vous que les plaques de charge du robot et de la station de charge sont connectées. Le robot démarrera automatiquement (si le robot est complètement éteint, il peut être démarré automatiquement après un certain temps de charge). Si la température ambiante est inférieure à 0°C ou supérieure à 40°C, veuillez l'utiliser à une température comprise entre 0 et 40°C."
Le robot ne peut pas être chargé	<ul style="list-style-type: none"> Veuillez éloigner le robot de la station de charge et vérifier si le témoin lumineux de la station de charge s'allume. Confirmez que les deux extrémités de l'adaptateur d'alimentation de la station de charge sont bien connectées. Assurez-vous que la station de charge est correctement positionnée devant le robot et que la distance entre l'avant du robot et la station de charge est d'environ 2 cm. Vérifiez qu'il n'y a pas de mauvais contact entre les plaques de charge du robot et la station de charge. Nettoyez les plaques de charge ou écartez les brosses latérales si elles bloquent la connexion entre les plaques de charge.
Le robot ne se recharge pas	Le robot est trop éloigné de la station de charge, veuillez placer le robot près de la station de charge et réessayer.
Comportement anormal	Arrêtez le robot en appuyant et en maintenant enfoncé le bouton marche/arrêt et redémarrez le robot après 10 minutes.
Bruit anormal	La brosse principale, la brosse latérale ou la roue peuvent être enchevêtrées avec des corps étrangers, veuillez arrêter le robot et retirer les corps étrangers.
La capacité de nettoyage diminue ou la poussière tombe	<ul style="list-style-type: none"> La poubelle est pleine, veuillez la vider La grille du filtre est bloquée, veuillez la nettoyer ou la remplacer. La brosse principale est entremêlée de corps étrangers, veuillez la nettoyer.
Le Wi-Fi ne peut pas être connecté	<ul style="list-style-type: none"> Le signal Wi-Fi est mauvais, assurez-vous que le signal Wi-Fi est bon. Le Wi-Fi est connecté de façon anormale, veuillez réinitialiser le Wi-Fi (routeur), télécharger la dernière version de l'APP et essayer de le reconnecter. Le mot de passe est incorrect Le Wi-Fi est soit sur la bande de fréquence 5 Ghz, soit sur une bande mixte de 2,4 et 5 Ghz. Le robot de nettoyage utilise uniquement la bande de fréquence 2.4G. Connectez-vous à votre routeur et vérifiez que les deux fréquences Ghz sont divisées en 2,4 et 5 Ghz et donnez-leur des noms différents. <p>Vous trouverez des instructions sur la manière de procéder dans le manuel de votre routeur."</p>
Le nettoyage à temps fixe échoue	En cas de faible niveau de la batterie, le nettoyage à heure fixe ne peut être lancé que lorsque le niveau de la batterie est de 30% ou plus.
Le robot consomme-t-il de l'énergie lorsqu'il est placé sur la station de charge?	Le robot consomme un peu d'énergie lorsqu'il est placé sur la station de charge. Cela permet d'assurer les meilleures performances de la batterie.
Le robot continue de tourner	<ul style="list-style-type: none"> Sortez le réservoir d'eau et/ou le bac à poussière Appuyez sur le bouton de réinitialisation pendant 2 secondes
Mon balai est sale	Vous pouvez les laver à 40 degrés maximum à la main ou dans une machine à laver, mais ils ne peuvent pas être utilisés dans un sèche-linge et doivent être séchés naturellement.

11. GARANTIE ET RECYCLAGE

Ce produit est garanti 2 ans contre les défauts de fabrication. La période de garantie est calculée à partir de la date d'achat du produit, selon la facture d'achat. La garantie du produit ne couvre que les défauts de fabrication, les défauts résultant d'une utilisation inappropriée ne sont pas couverts par la garantie, tels que (mais sans s'y limiter) la chute du robot, un transport inadéquat, un raccordement au réseau électrique non conforme à la tension spécifiée dans ce manuel, l'insertion de corps étrangers et l'usure naturelle des pièces et éléments tels que les pièces en plastique (bouchons, boutons, poignées, verrous, câbles d'alimentation, etc.) et les pièces métalliques (fils, moteurs, etc.).

Ne sont pas non plus couverts les dommages dus aux agents de la nature (foudre, aliments, mer, oxydation, humidité, etc.). Le produit perdra sa garantie s'il présente des défauts qui, après analyse par nos techniciens, se caractérisent par une utilisation inadéquate, un usage professionnel ou un usage auquel il n'est pas destiné (selon le manuel d'utilisation). Cette garantie sera annulée s'il s'avère que l'appareil a été altéré, a été réparé par une personne ou un service non autorisé par Blaupunkt. La garantie n'est valable qu'avec le reçu/facture fourni lors de l'achat.

Blaupunkt s'engage à fournir les services susmentionnés pendant la période de garantie uniquement dans les lieux où il dispose d'un service agréé. Les consommateurs qui ne se trouvent pas à proximité d'un centre de service agréé doivent assumer les coûts et les risques du transport vers le service agréé de leur choix.

L'usure naturelle n'est pas couverte par la garantie.

Ce produit est destiné à un usage domestique uniquement.



ÉLIMINATION ET RECYCLAGE

Ce marquage indique que ce produit ne doit pas être éliminé avec les autres déchets ménagers dans toute l'UE. Pour éviter tout dommage éventuel à l'environnement ou à la santé humaine du fait de l'environnement ou la santé humaine, recyclez-le de manière responsable afin de promouvoir la réutilisation durable des ressources matérielles. Pour retourner votre appareil usagé, veuillez utiliser les systèmes de retour et de collecte ou contacter le détaillant où le produit a été acheté. Ils peuvent prendre en charge ce produit pour un recyclage respectueux de l'environnement.

Welkom!

Bedankt voor het kiezen van de Blaupunkt **Bluebot XTREME**.

Met deze handleiding willen wij u graag ondersteunen bij de installatie en het gebruik van jouw Blaupunkt Bluebot robot.

Voor extra how-to video's, tips & tricks, FAQ's of contactgegevens, ga naar:

www.blaupunktrobotics.eu/support

In deze handleiding komen de volgende onderwerpen aan bod om jou te ondersteunen bij de installatie van de robot:

1	Veiligheidsinformatie	66
2	Productinformatie.....	68
3	Installatie van de robot	71
4	Installatie van de Bluebot-applicatie.....	74
5	Gebruik van de robot	76
6	Reinigingsinstellingen	77
7	Onderhoud	78
8	Basisparameters	82
9	Gebruiksbeperkingen	83
10	Probleemoplossing	84
11	Garantie	85

1. VEILIGHEIDSINFORMATIE

ALGEMENE VEILIGHEIDSINFORMATIE:

Voordat u dit product gebruikt, dient u de volgende veiligheidsinstructies te lezen en alle gebruikelijke veiligheids-voorzorgsmaatregelen te volgen. Lees de instructies zorgvuldig door, bewaar de instructies. Elk gebruik dat niet in overeenstemming is met deze gebruiksaanwijzing kan leiden tot schade aan dit product.

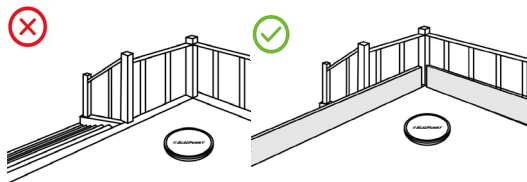
WAARSCHUWING:

- Gebruik alleen de originele oplaadbare batterij in het laadstation die speciaal door de fabrikant zijn geplaatst. Niet-oplaadbare batterijen zijn strikt verboden.
- Het is verboden om deze producten te gebruiken in omgevingen met open vuur of breekbare voorwerpen.
- Het is verboden de producten te gebruiken in extreem warme (boven 40 °C) of extreem koude (onder 0 °C) omgevingen.
- Menselijk haar, kleding, vingers of andere delen mogen niet in de buurt komen van de openings- en werkingsdelen van het product.
- Het is verboden de producten te gebruiken op een natte of stagnatie ondergrond.
- Het is verboden het product te gebruiken in de buurt van brandende of extreem hete voorwerpen, bijvoorbeeld een brandende open haard.
- De producten mogen geen voorwerpen zoals stenen en papierafval opnemen die de producten kunnen verstopen.
- De producten mogen geen ontvlambare stoffen absorberen, zoals benzine, toner en toner voor printers of fotokopieën. Het is verboden producten te gebruiken in propere ruimtes met ontvlambare voorwerpen.
- De producten mogen geen brandende voorwerpen absorberen, zoals sigaretten, lucifers, as en andere voorwerpen die brand kunnen veroorzaken.
- Plaats geen voorwerpen bij de aanzuigopening. Gebruik het product niet wanneer de aanzuigopening geblokkeerd is. Ruim stof, watten, haren enz. bij de aanzuigopening op om een vlotte luchtcirculatie bij de aanzuigopening te verzekeren.
- Gebruik het netsnoer voorzichtig om beschadiging te voorkomen. Het is verboden het netsnoer te gebruiken om het product en het oplaadstation van het product te verslepen of eraan te trekken. Het is verboden het netsnoer als handvat te gebruiken. Het is verboden om het netsnoer in de kier van een deur te klemmen. Het is verboden om aan het netsnoer te trekken in scherpe hoeken en bochten. Het is verboden om het product op het netsnoer te laten werken, terwijl het netsnoer ver verwijderd moet zijn van de warmtebron.
- Gebruik geen beschadigde lader, snoer of oplaadstation.
- Zelfs als het product ernstig beschadigd is, is het verboden het product te verbranden, wat kan leiden tot ontploffing van de batterij van het product.

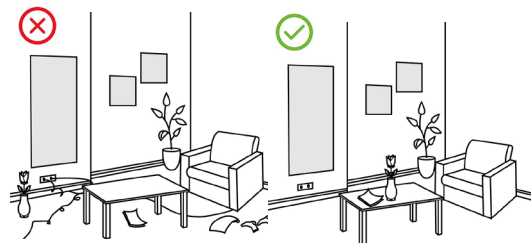
VEILIGHEIDSINFORMATIE



NOTE:

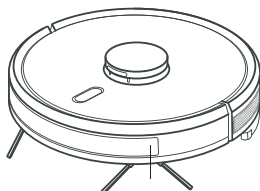


- Alleen bevoegde technici kunnen dit product demonteren. We raden het onze gebruikers niet aan om dit product zelf te demonteren.
- Dit product kan alleen de door de fabriek geleverde stroomadapter gebruiken. Indien andere adapters worden gebruikt, kan het product beschadigd raken.
- Raak geen draden, stopcontacten of stroomadapters aan wanneer uw handen nat zijn.
- Gebruik geen stoffen doeken of lichaamsdelen om in de aandrijfwielen van het product te rollen.
- Plaats dit product niet in de buurt van sigarettenpeuken, aanstekers en andere smeulende vuurtjes.
- Reinig dit product na het opladen.
- Buig de kabels niet overmatig en plaats geen zware voorwerpen en scherpe voorwerpen op de machine.
- Dit product is een huishoudelijk product voor binnenshuis. Gebruik het niet buitenshuis.
- Ga niet op het product zitten.
- Gebruik dit product niet in een vochtige omgeving (bijv. badkamer).
- Voordat u dit product gebruikt, dient u alle kwetsbare voorwerpen (bijv. glazen, lampen enz.) van de grond te verwijderen, evenals voorwerpen (bijv. draden, lakens, gordijnen) die de zijborstels en de lucht aanzuigkanalen kunnen verstrengelen.

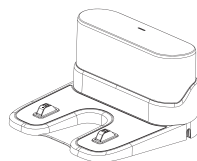


- Plaats dit product niet op een plek waar het gemakkelijk kan vallen (bijv. bureau, stoelen of een trapgat).
- Controleer zorgvuldig of de adapter is aangesloten op het stopcontact alvorens het te gebruiken, anders kan de batterij beschadigd raken.
- Om struikelen te voorkomen, gelieve andere leden van de huishouden te informeren wanneer dit product werkende is.
- Maak het stofreservoir leeg voordat u dit product gebruikt als het stofreservoir vol is.
- De temperatuur die voor dit product wordt aangeraden is 0 tot 40 graden Celsius.
- Gebruik dit product niet in een omgeving met hoge temperaturen.
- Verwijder de batterij uit het apparaat voordat u het product weg gooit.
- Zorg ervoor dat dit product niet is ingeschakeld wanneer u de batterij verwijdert.
- Gelieve de afgedankte batterijen veilig te recycleren.
- Aanbevelen om de trapuitgang te blokkeren of gebieden waar de robot kan vallen. De valdempers voorkomen dat de robot van trappen en steile hellingen valt. Ze kunnen echter minder doeltreffend werken wanneer ze vuil zijn of gebruikt worden op reflecterende/zeer donker gekleurde vloeren.

2. PRODUCTINFORMATIE



XTREME robot



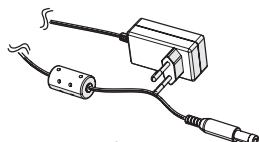
Oplaadstation



Handleiding



Zijborstels (4x)



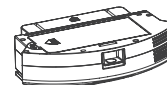
Adapter



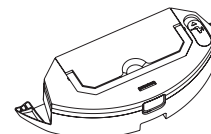
Reinigingsborstel met mes



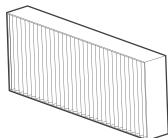
Dweil (2x)



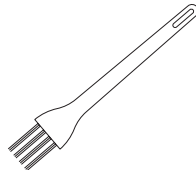
Stofreservoir



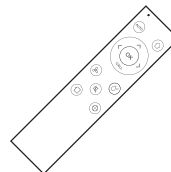
2 in 1 elektrisch geregeld waterreservoir



HEPA filter + spnsfilter (2x)



Reinigingsborstel



Afstandsbediening

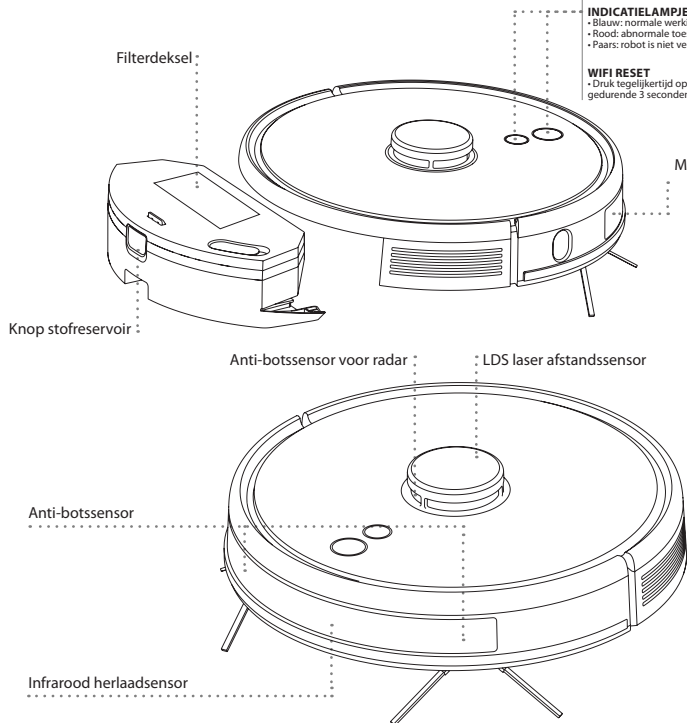


Batterij (2x)



Spiraal vormige rolborstel

BOVEN- & ONDERAANZICHT



SCHOONMAKEN AAN & UIT

- Kort indrukken voor start reinigens/pauzeren
- Lang indrukken gedurende 3 sec voor aan/uit

OPLADEN/LOKAAL REINIGEN

- Kort indrukken voor opladen/pauze
- Lang indrukken om lokale reiniging te starten

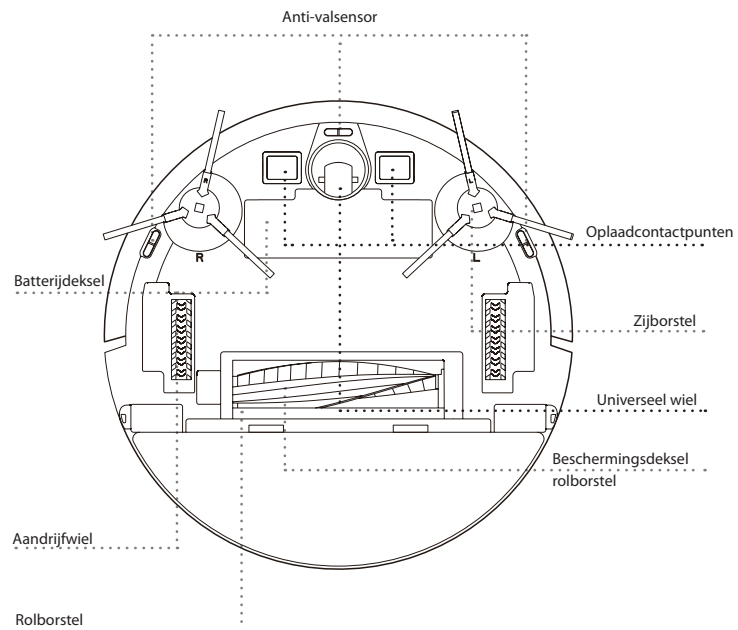
INDICATIELAMPJE

- Blauw: normale werking of opladen
- Rood: abnormale toestand of lege batterij
- Paars: robot is niet verbonden met het netwerk

WIFI RESET

- Druk tegelijkertijd op de twee knoppen gedurende 3 seconden

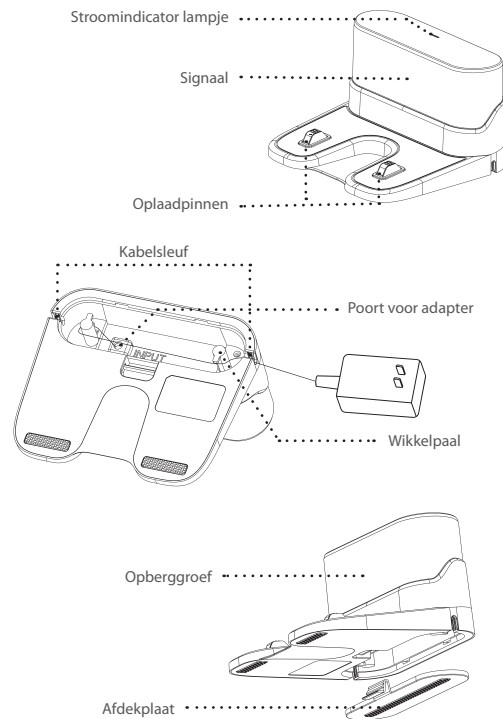
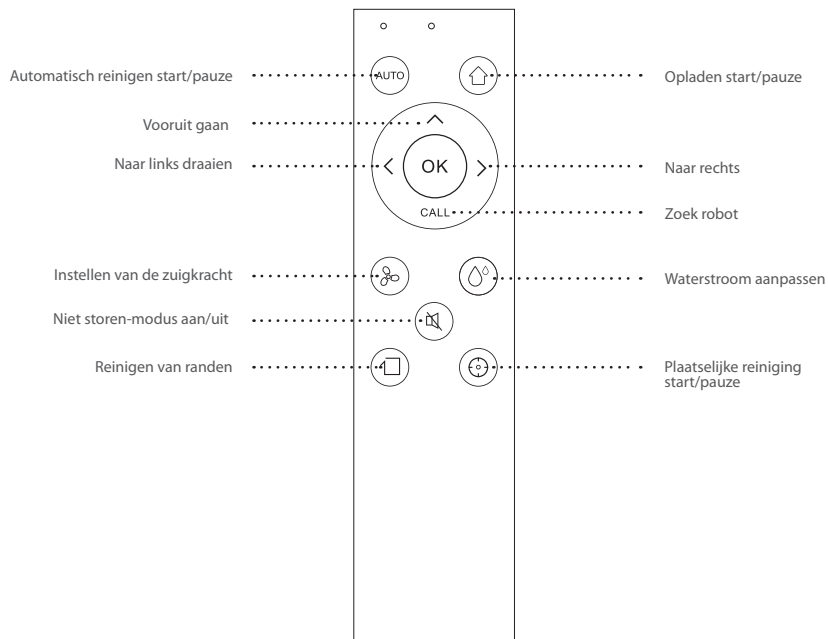
ONDERAANZICHT



PRODUCTINFORMATIE



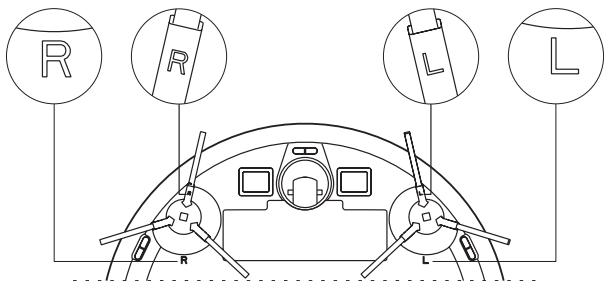
AFSTANDBEDIENING & OPLAADSTATION



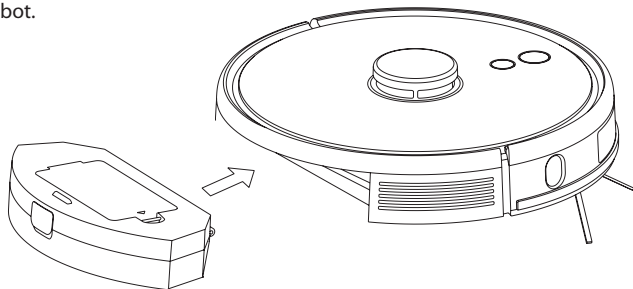
3. INSTALLATIE INSTRUCTIE ROBOT

PRODUCTASSAMBLAGE

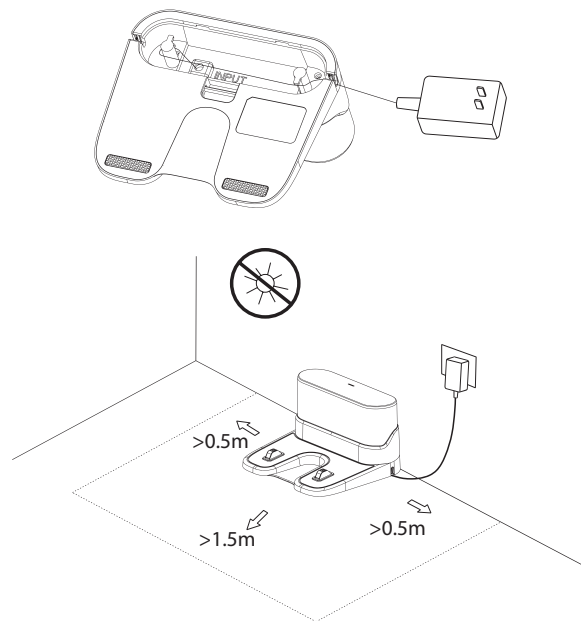
1 Installeer de zijborstels. Zorg dat de linkse zijborstel (L) en de rechtse zijborstel (R) overeenkomen met L en R op de onderkant van de behuizing. Druk vervolgens op L en R om ze terug te plaatsen. Ze zijn geïnstalleerd wanneer je een 'klik' geluid hoort.



2 Plaats het stofreservoir of de 2-in-1 combi-watertank in de robot.



3 Installeer het laadstation



4 Laad de robot volledig op (voor het eerste gebruik)

5 Maak verbinding met de Bluebot app (optioneel)

6 Start met schoonmaken

NOTE

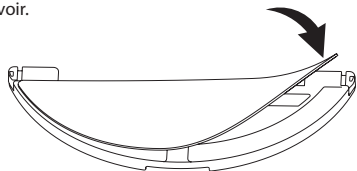
- Verplaats het laadstation niet zonder reden en houd het uit de buurt van direct zonlicht.
- Als het laadstation wordt verplaatst, kan de robot falen in positionering en de kaart verliezen. Wanneer de robot opnieuw wordt opgestart, zal hij de kaart opnieuw opbouwen en onthouden. In de opnieuw opgebouwde kaart informatie voor verboden zones en andere zones verloren gegaan."
- Direct zonlicht zal het oplaadsignaal verstoren en bijgevolg kan het gebeuren dat de robot niet kan terugkeren naar het laadstation.
- De robot kan niet worden gebruikt voor het verwijderen van vloeistoffen.
- Indien het batterijniveau minder dan 20% bedraagt, zal de machine niet werken. Laad hem dan op.
- De machine zal automatisch terugkeren naar het laadstation als het batterijniveau tijdens het gebruik minder dan 20% is en zal uitgeschakeld en begint dan automatisch met schoonmaken nadat de 80% bereikt."
- Maak verschillende draden (inclusief de stroomkabel van het laadstation) van de grond voor gebruik om uitval te voorkomen en beschadiging van objecten of draden wanneer draden worden geslept door de robot.

INSTALLATIE INSTRUCTIE ROBOT

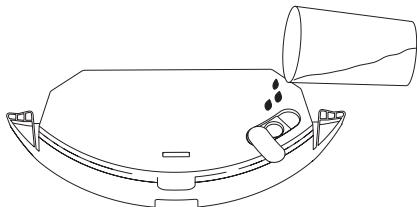


INSTALLATIE VAN DWEILMODULE

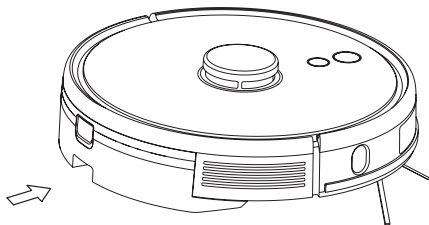
1 Plak de dweil plat op de bodem van het waterreservoir.



2 Vul de watertank: neem het deksel eraf en vul met water.

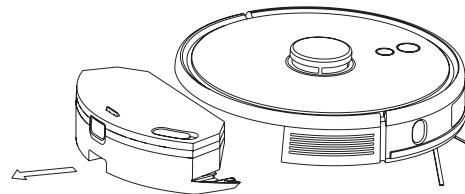


3 Houd de knop in het midden van het reservoir ingedrukt en duw hem horizontaal langs de achterkant van de robot. De module is correct op zijn plaats geïnstalleerd als u een "klik" hoort.



4 Verwijder de dweil module.

Indien de robot klaar is met werken, drukt u op de knop in het midden van het waterreservoir. Zo kunt u de dweilmodule via de achterkant verwijderen, om hierna het water in het waterreservoir te legen en de dweil te reinigen. Let op: beweeg of draai de robot niet om tijdens het reinigen.



INSTRUCTIES VOOR DE DWEILMODULE:

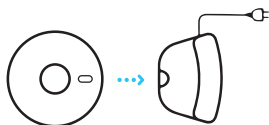
- Gelieve de dweilmodule niet te gebruiken nadat deze ongebruikt is achtergelaten.
- Om veiligheidsredenen dient u de dweilmodule te verwijderen wanneer deze wordt opgeladen of ongebruikt blijft.
- Dweil het tapijt niet. Stel via de Bluebot app een verboden gebied in om te voorkomen dat de machine op het tapijt komt.
- Voor een beter dweilresultaat moet de dweilmodule worden geïnstalleerd nadat de vloer eerst is stofgezuigd.
- Om water toe te voegen of de dweil schoon te maken terwijl de machine in gang is, dient u het proces te onderbreken en neemt u de dweilmodule eruit. Hierna monteert u deze weer volgens stap 3. Verplaats of draai de robot niet, anders kan de positionering mislukken, de kaart verloren gaan en kunnen de verboden gebieden die geprogrammeerd zijn "vergeten" worden.
- De dweilfunctie van de machine is bedoeld voor het afnemen van de vloer en is niet bevorderlijk voor diepe reiniging. Hardnekkige vlekken kunnen mogelijk niet doeltreffend verwijderd worden. De machine zal deze arbeidskrachten niet kunnen vervangen.
- Gelieve geen schoonmaakmiddel in de watertank te gebruiken om verstoppingen te voorkomen.
- De robot niet gebruiken om water te verwijderen.

4. INSTALLATIE BLUEBOT APP



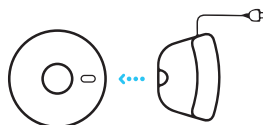
BLUEBOT APP 1 Laad de robot volledig op 2 Download de Bluebot app 3 Volg de stappen voor registratie 4 Verbind de robot met de app (zie onderstaande stappen)

1



Plaats de robot op het oplaadstation om op te laden en zorg ervoor dat hij volledig opgeladen is voor gebruik. Wanneer de robot volledig is opgeladen, zullen de lichten op de robot stoppen met knipperen.

2



Verwijder de robot van het oplaadstation.

3



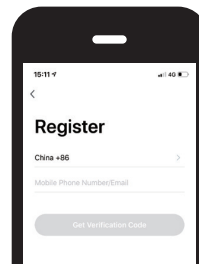
Zorg ervoor dat de robot aan staat, door de 'Aan knop' bovenaan de robot gedurende een paar seconden ingedrukt te houden. Wacht tot de robot volledig is opgestart.

4



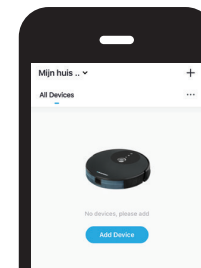
"Download de Bluebot app.
De Bluebot app is te vinden in de App Store en Google Play."

5



Maak een nieuw account aan indien u nog geen bestaande gebruiker bent. Druk hiervoor op "registreren".

6



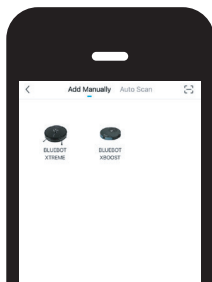
Open de Bluebot app en druk op de 'Apparaat toevoegen' knop om je Bluebot toe te voegen.

INSTALLATIE BLUEBOT APP



7

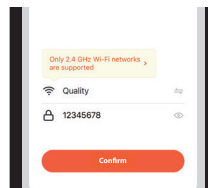
Selecteer het betreffende apparaat dat u wilt toevoegen.



8

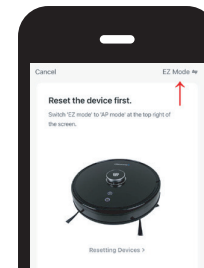
Voer uw WIFI-wachtwoord in en druk op bevestigen.

Enkel 2.4 GHz WIFI netwerken worden ondersteund. Raadpleeg de handleiding van uw router voor hulp.



9

Selecteer 'APP-modus' rechtsboven indien dit nog niet het geval is en klik op 'Volgende Stap'.



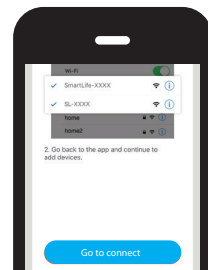
10

Zorg er na uw registratie voor dat de robot van zijn oplaadstation is afgehaald. Zet uw robot aan door op de 'Aan-knop' te drukken. Druk daarna tegelijkertijd op de 'Home-knop' en de 'Aan-knop' gedurende meer dan 3 seconden totdat de robot meldt dat de WIFI-verbinding verbroken is.



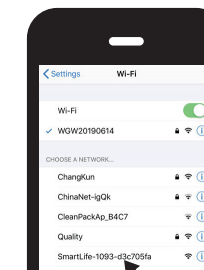
11

Druk op de knop 'Nu Verbinden' onderaan het scherm.



12

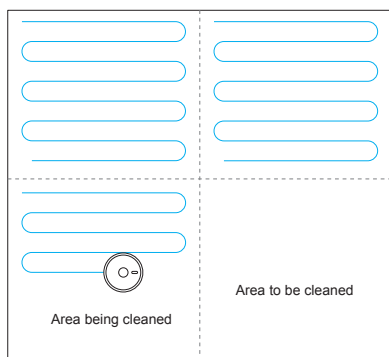
Selecteer het 'SmartLife xxx' netwerk uit de lijst en keer terug naar de Bluebot app.



5. GEBRUIK VAN DE ROBOT

SCHOONMAAK MODUS

Gebruik deze functie bij het eerste gebruik van de robot. De robot zal dan de kamer(s) gaan scannen om hierna een map aan te maken. Deze map kan vervolgens in de toekomst gebruikt worden. Dit bevordert ook het proces van de robot, doordat deze dan beter weet waar hij zich bevindt.



NOTE

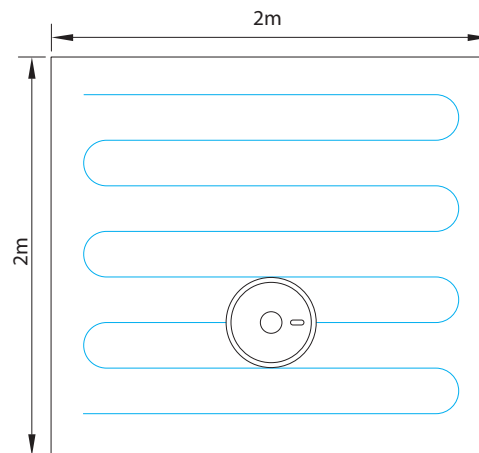
Verplaats de robot niet zomaar of regelmatig tijdens het reinigen. Zet de robot na het verplaatsen in de buurt van de oorspronkelijke positie. Wanneer hij opnieuw start, zal hij proberen zich opnieuw te positioneren. Na een succesvolle positionering zal hij het geplande pad volgen en verder werken. Indien de positionering mislukt, zal de robot de vorige missie afbreken, een nieuwe kaart maken en opnieuw schoonmaken.

SPOT SCHOONMAAK

Wanneer een plaatselijk gebied een extra schoonmaak nodig heeft, kun je in de app deze plek selecteren. De robot zal dan twee keer reinigen binnen een straal van 1,5mx1,5m met de startpositie als centraal punt.

GEDEELTELIJKE SCHOONMAAK

Als de robot niet met de mobiele APP kan worden bestuurd, verwijdt u de robot naar de plaats die u wilt reinigen. Houd de knop 3 seconden lang ingedrukt, en de robot zal twee keer reinigen binnen een straal van 2mx2m, waarbij hij zich op zichzelf concentreert.



6. SCHOONMAAK INSTELLINGEN

MEER OPTIES

Timer*

Zet een timer die aangeeft wanneer de robot op vaste tijden moet gaan schoonmaken.

Handmatig

Bestuur de robot handmatig of gebruik de Bluebot app of jouw smartphone als afstandsbediening.

Zoek robot

Klik deze optie aan wanneer u uw robot kwijt bent. Vervolgens zal de robot vertellen waar hij zich bevindt.

Map management*

Gebruik deze functie voor het beheer van jouw mappen (5 max.).

Water dosering

Regel de water dosering en kies tussen laag, medium of hoog. Dit zal de natheid van de deuil reguleren, wanneer u gebruik maakt van de 2 in 1 elektrisch geregeld waterreservoir.

Auto Boost*

Auto Boost zorg ervoor dat de zuigkracht wordt verhoogd wanneer de robot meer wrijving krijgt. Dit is ontworpen om de zuigkracht te versterken wanneer de robot een tapijt moet schoonmaken.

Custom mode*

Deze functie zorgt ervoor dat de robot per gebied routes onthoudt.

Record*

Hiermee kunt u al uw vorige schoonmaaksessies bekijken. Hier ziet u het aantal vierkante meters dat reeds is schoongemaakt en hoe lang dit heeft geduurd. Daarnaast kunt u ook vorige opgeslagen mappen terug vinden, wat ideaal is wanneer u op verschillende etages de robot gebruikt.

Voice and volume

Stel uw voorkeur taal in en pas het volume aan.

Niet storen modus

Hier kunt u een tijdsperiode instellen waarin de robot u niet mag storen.

Verbruik en onderhoud*

Here you will find an overview of consumables and indicates when consumables need to be replaced or maintenance is required.

Meer informatie*

Hier vindt u meer informatie over het netwerk en de robot.

Stel virtuele muur / restricted area in*

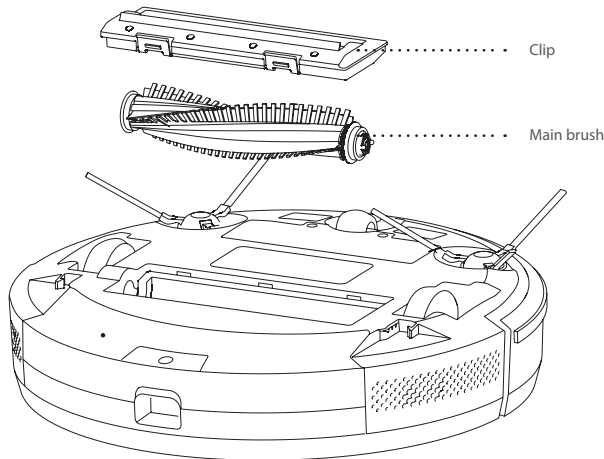
Gebruik deze functie om no-go zones te markeren in een ruimte. Zo kun je een virtuele muur in de map tekenen waar de robot niet langs mag komen. Of je maakt een verboden gebied aan voor stofzuigen en/of dweilen in de map.

*** Alleen mogelijk via Bluebot app**

7. ONDERHOUD

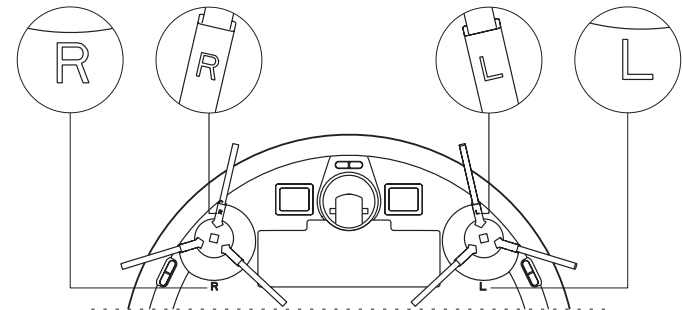
ROLBORSTEL | REGELMATIG SCHOONMAKEN

- 1 Draai de machine om en druk op de twee klemmen op het deksel van de rolborstel om deze te openen en de rolborstel eruit te halen.
- 2 Verwijder het stof aan de buiten- en binnenkant van de rolborstel met een klein borsteltje en maak de rolborstel schoon.
- 3 Zet de rolborstel terug in elkaar en druk de rolborstel en het deksel stevig aan om de klemmen volledig te sluiten.



ZIJBORSELS | REGELMATIG SCHOONMAKEN

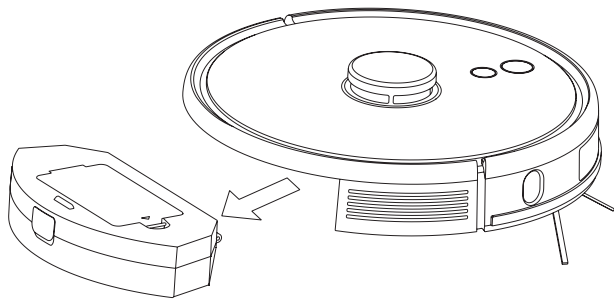
- 1 Draai de machine om en trek de zijborstel naar buiten en omhoog.
- 2 Verwijder alle haren en vuil en zet de zijborstel terug in elkaar.
- 3 Zorg ervoor dat de linkse zijborstel (L) en de rechtse zijborstel (R) overeenkomen met L en R op de onderkant van de behuizing, druk op L en R om ze terug te plaatsen.



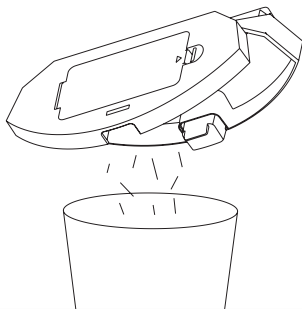
ONDERHOUD

STOFRESERVOIR | REGELMATIG SCHOONMAKEN

1 Druk op de knop en trek het stofreservoir er naar achteren uit

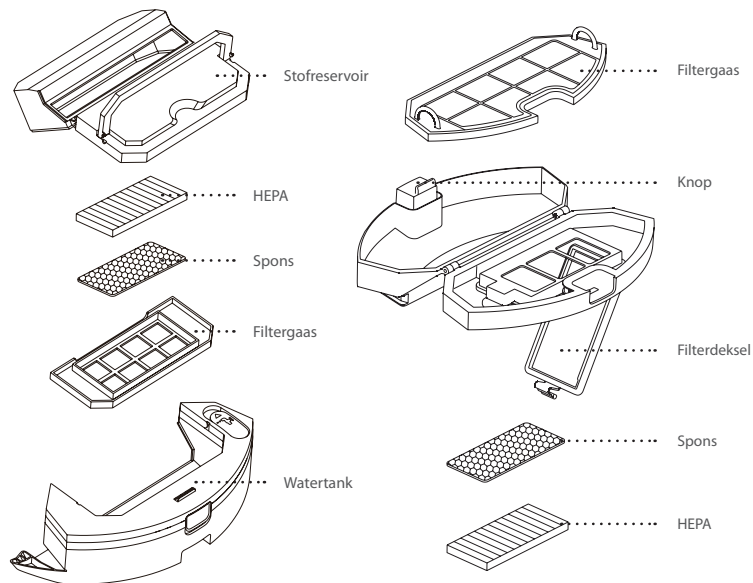


2 Open, leeg en reinig het stofreservoir.



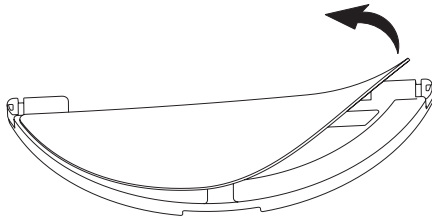
FILER | REGELMATIG SCHOONMAKEN

- 1 Verwijder het filtergaas, de spons en de HEPA.
- 2 Reinig het verwijderde filtergaas, de spons en de HEPA onder water.
- 3 Schud de waterdruppels eraf en droog de onderdelen op natuurlijke wijze; gebruik ze pas nadat ze volledig gedroogd zijn.
- 4 Installeer de onderdelen na het volledig drogen in de volgende volgorde: filtergaas > spons > HEPA.

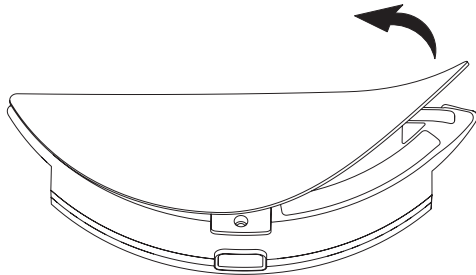


DWEILMODULE | 2-IN-1 ELECTISCH GEREGLD WATERTANK

1 Verwijder de dweil en giet het water uit het waterreservoir.



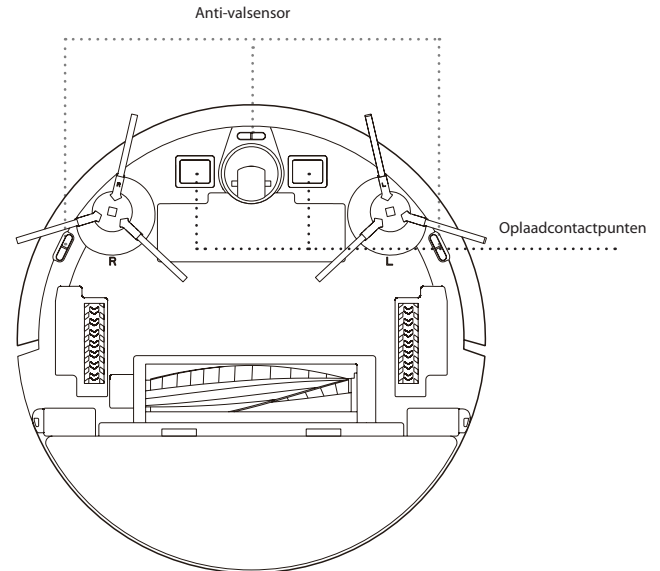
2 Reinig de dweil (met de hand) en droog het waterreservoir en de dweil.



SENSOR | REGELMATIG SCHOONMAKEN

Maak de volgende sensoren schoon met een droge, zachte doek:

- 1 De anti-valsensoren aan de onderkant van de robot.
- 2 De beveiliging tegen elektrische schokken en pinnen van het oplaadstation aan de onderkant van de robot (sluit de stroom af tijdens het schoonmaken).
- 3 Het signaaloverdrachtsgebied van het oplaadstation.



ONDERHOUD

BATTERIJ

- De robot is uitgerust met krachtige lithium-ion batterijen.
- Om de prestaties van de batterij te behouden, dient u de robot bij dagelijks gebruik opgeladen te houden.
- Als het apparaat langere tijd niet wordt gebruikt, dient u het uit te schakelen en goed te bewaren.
- Laad de robot ten minste elke drie maanden op om schade aan de batterijen door overmatige ontlading te voorkomen"

FIRMWARE UPGRADE

- Upgrade firmware met behulp van de Bluebot app. Als nieuwe firmware wordt gedetecteerd, upgrade deze dan volgens de melding.
- Het batterijniveau moet $\geq 50\%$ zijn tijdens de firmware-upgrade, plaats alvorens de upgrade te starten het apparaat indien nodig op het oplaadstation."

SYSTEEM RESET

- Haal het stofreservoir naar beneden, open de rubberen plug en druk op de 'Reset toets'.
- De huidige kaart en timing zullen verloren gaan, WIFI en gepersonaliseerde instellingen zullen behouden worden na de reset."

8. BASIS PARAMETERS

ROBOT

Item	Parameter
Model	BLUEBOT XTREME
Totale afmeting	350X350X100mm
Product gewicht	3.2 kg
Li-batterij	5000mAh
Nominale spanning	14.4V
Nominaal vermogen	50W

LAADSTATION

Item	Parameter
Totale afmeting	160x143X80mm
Nominaal vermogen	24W
Nominale output	24W

9. GEBRUIKSBEPERKINGEN

- Het product wordt alleen gebruikt voor vloerreiniging in een thuisomgeving en kan niet buitenshuis (zoals een open terras), weg van de grond (zoals op een bank) of in commerciële of industriële omgevingen worden gebruikt.
- Gebruik het product niet weg van de begane grond (zoals in een penthouse, open terras, en bovenop meubilair) zonder een beschermende omheining.
- Gebruik het product niet bij een temperatuur boven 40°C of onder 0°C of wanneer er vloeistoffen en kleverige substanties op de grond liggen.
- Hang kabels die op de grond liggen vóór gebruik op om te voorkomen dat ze door de robot worden meegetrokken.
- Verwijder breekbare voorwerpen en onzuiverheden (zoals vazen en plastic zakken, enz.) van de grond om beschadiging van kostbaarheden te voorkomen wanneer de robot vast komt te zitten of lichtjes stoot.
- Personen met een fysieke, mentale of perceptuele stoornis (inclusief kinderen) mogen het product niet gebruiken of bedienen.
- Kinderen mogen het product niet als speelgoed gebruiken. Houd kinderen en huisdieren uit de buurt wanneer de robot in werking is.
- Houd de hoofdborstel en ander schoonmaakgereedschap buiten het bereik van kinderen.
- Plaats geen voorwerpen (ook geen kinderen of huisdieren) op een stilstaande of bewegende machine.
- Houd haar, vingers en andere delen van het menselijk lichaam of huisdieren uit de buurt van de aanzuigopening wanneer het apparaat in werking is.
- Gebruik het product niet voor het opvegen van brandende voorwerpen (zoals een brandende sigarettenpeuk).
- Gebruik het product niet voor het reinigen van langharig tapijt (sommige donkere tapijten worden mogelijk niet normaal gereinigd).
- Voorkom dat het apparaat harde of scherpe voorwerpen opzuigt (zoals afval van decoratieve materialen, glas, ijzeren spijkers, enz.)
- Verplaats het apparaat niet door de beschermkap van de laserafstandssensor en de bumper vast te houden.
- Reinig of onderhoud de robot en het oplaadstation wanneer het apparaat is gepauzeerd of uitgeschakeld.
- Veeg geen enkel deel van het product af met een natte doek of een vloeistof.
- Gebruik het product volgens de gebruikershandleiding. De gebruiker is verantwoordelijk voor eventuele schade of letsel veroorzaakt door verkeerd gebruik.
- Gebruik de dweilfunctie niet voor tapijten en bovenkanten van meubels.
- Verwijder zeker het waterreservoir wanneer de machine wordt opgeladen.
- Gebruik geen batterij, oplaadstation of oplader die door derden zijn geleverd.
- Demonteer de batterij of de lader niet, repareer ze niet en plaats ze niet willekeurig terug.
- Houd het oplaadstation uit de buurt van warmtebronnen (zoals een radiator).
- Veeg of reinig de pinnen van het oplaadstation niet met een natte doek of natte hand.
- Gooi batterijen niet zomaar weg. Batterijen moeten worden verwijderd door een professioneel recyclingbureau.
- Als de stroomkabel beschadigd of gebroken is, stop dan onmiddellijk met het gebruik ervan en vervang hem via de officiële kanalen.
- Zorg ervoor dat de robot tijdens het vervoer wordt uitgeschakeld en dat het product in de oorspronkelijke verpakking wordt vervoerd.
- Als de machine lange tijd niet wordt gebruikt, moet het volledig worden opgeladen en vervolgens op een koele en droge plaats worden bewaard.
- Laad de machine minstens om de drie maanden op om schade aan de batterijen door ontlading te voorkomen.
- Gebruik geen schoonmaakmiddel in dit apparaat om verstopping te voorkomen.

10. PROBLEEMOPLOSSING



PROBLEEM	OPLOSSING
De robot start niet	<ul style="list-style-type: none">• Indien de batterij bijna leeg is, plaats de robot dan op het oplaadstation en zorg ervoor dat de laadplaten van de robot en het oplaadstation op elkaar aansluiten. De robot start automatisch (indien de robot volledig is uitgeschakeld, kan hij automatisch worden gestart nadat hij een tijdje is opgeladen)• Als de omgevingstemperatuur lager is dan 0°C of hoger dan 50°C, gebruik het dan bij een temperatuur van 0-40°C
De robot kan niet worden opgeladen	<ul style="list-style-type: none">• Beweeg de robot weg van het oplaadstation en controleer of het indicatielampje van het oplaadstation oplicht. Controleer of beide uiteinden van de voedingsadapter van het oplaadstation goed zijn aangesloten. Zorg ervoor dat het oplaadstation correct voor de robot is geplaatst en dat de afstand tussen de voorkant van de robot en het oplaadstation ongeveer 2 cm bedraagt• Controleer of er een slecht contact is tussen de laadplaten van de robot en het Oplaadstation, reinig de laadplaten of duw de zijborstels opzij als deze de verbinding tussen de laadplaten blokkeren
De robot laadt niet opnieuw op	De robot is te ver weg van het oplaadstation, plaats de robot in de buurt van het oplaadstation en probeer het opnieuw
Abnormaal gedrag	Schakel de robot uit door de aan/uit-knop ingedrukt te houden en start de robot na 10 minuten opnieuw op
Abnormaal geluid	De hoofdborstel, zijborstel of het wiel kunnen verstrikt zijn met vreemde voorwerpen; schakel de robot uit en verwijder deze vreemde voorwerpen
Reinigingscapaciteit neemt af of er valt stof uit	<ul style="list-style-type: none">• De vuilnisbak is vol, ruim hem alsjeblieft op.• De filterzeef is verstopt, gelieve ze te verwijderen of te vervangen• De hoofdborstel is verstrikt met vreemde voorwerpen, maak hem schoon.
WiFi kan niet worden aangesloten	<ul style="list-style-type: none">• Het WiFi-signaal is slecht, zorg ervoor dat er een goed WiFi-signaal is• De WiFi is abnormaal verbonden, reset de WiFi (router), download de nieuwste APP en probeer opnieuw verbinding te maken• Wachtwoord is onjuist• De wifi werkt ofwel op de 5 Ghz frequentieband of op een gemengde band van 2,4 en 5 Ghz. De schoonmaakrobot gebruikt alleen de 2. 4G frequentieband. Log in op uw router en zorg ervoor dat de twee Ghz frequenties zijn opgesplitst in 2. 4 en 5 Ghz en geef deze verschillende namen. Instructies over hoe dit te doen vindt u in de handleiding van uw router.
Reiniging op vaste tijdstippen mislukt	In geval van een laag batterijniveau kan de reiniging met vaste tijd alleen worden gestart als het batterijniveau 30% of meer bedraagt
Verbruikt de robot stroom wanneer hij op het Ladestation is geplaatst	De robot verbruikt weinig stroom wanneer hij op het oplaadstation is geplaatst. Dit verzekert de beste prestaties van de batterij
De robot blijft rond draaien	<ul style="list-style-type: none">• Haal de watertank en/of stofreservoir eruit.• Druk voor 2 seconden de reset knop in
De dweil is vies	De dweil mag op maximaal 40 graden worden gewassen met de hand of in een wasmachine, maar deze mag niet worden gebruikt in een droger en moet natuurlijk worden gedroogd.

11. GARANTIE & RECYCLING

Dit product heeft 2 jaar garantie op fabricagefouten. De garantieperiode wordt gerekend vanaf de datum van aankoop van het product, volgens de aankoopfactuur. De garantie dekt alleen fabricagefouten, defecten die het gevolg zijn van onjuist gebruik, zoals laten vallen, onjuist transport, aansluiting op het lichtnet die niet in overeenstemming is met de in deze handleiding aangegeven spanning, het inbrengen van vreemde voorwerpen en natuurlijke slijtage van onderdelen en componenten zoals plastic onderdelen (kappen, knoppen, handgrepen, vergrendelingen, stroomkabels, enz.) en metalen onderdelen (draden, motoren, enz.).

Eveneens niet gedekt zijn beschadigingen als gevolg van natuurverschijnselen, blikseminslag, voedsel, zee, oxidatie, vochtigheid, enz.) De garantie vervalt indien het product gebreken vertoont die na analyse door onze technici worden gekenmerkt als onjuist gebruik, gebruik voor professionele doeleinden of voor een doel waarvoor het niet bestemd is (volgens de gebruikershandleiding). Deze garantie vervalt als wordt vastgesteld dat er met het apparaat is geknoeid of dat het is gerepareerd door een persoon of dienst die niet door Blaupunkt is geautoriseerd.

De garantie is alleen geldig met de bij aankoop overhandigde kassabon/factuur. Blaupunkt verbindt zich ertoe de bovenvermelde diensten tijdens de garantieperiode enkel te verlenen op plaatsen waar zij een geautoriseerde dienst onderhoudt. Consumenten die zich niet in de nabijheid van een geautoriseerd servicecentrum bevinden, zijn zelf verantwoordelijk voor de kosten en risico's van vervoer naar de geautoriseerde service van hun keuze.

Natuurlijke "slijtage" wordt niet gedekt door de garantie.

Dit product is uitsluitend bestemd voor huishoudelijk gebruik.



VERWIJDERING EN RECYCLING

Deze markering geeft aan dat dit product in de hele EU niet samen met ander huishoudelijk afval mag worden verwijderd. Om mogelijke schade aan het milieu of de volksgezondheid door ongecontroleerde afvalverwijdering te voorkomen, dient u het op verantwoorde wijze te recyclen om duurzaam hergebruik van materiële hulpbronnen te bevorderen. Om uw gebruikte apparaat terug te brengen, kunt u gebruik maken van de terugname- en inzamelsystemen of contact opnemen met de detailhandelaar waar het product is gekocht. Zij kunnen dit product innemen voor milieuveilige recycling.



PT Pode encontrar esse manual em português em www.blaupunktrobotics.eu/support.

ES Puede encontrar este manual en español en www.blaupunktrobotics.eu/support.

 blaupunktrobotics.eu

 +31(0)885667700

 support@blaupunktrobotics.eu

Published by Smart Life B.V.

Enjoy it.