

● **BLAUPUNKT**

BLAUPUNKT
Brand
established
1924
GERMANY

DUAL VOICE COIL
SUBWOOFER **GTW 11204 D**



Enjoy it.

Operating and Installation Instructions

INTRODUCTION

Proper system planning is vital in order to maximize the device's performance and road safety. Plan your installation carefully to avoid compromising performance reliability of the system. Consult an authorized Blaupunkt dealer for installation or repair. Read the manual carefully before operating the device for the first time.

Safety Notes

The Comfort Level of your hearing may adapt to the higher volume of sound over time, user is advised to keep the volume of the car radio to a moderate level for the protection of the ears and to increase the ability to hear any emergency warning signals (e.g. police and ambulance sirens).

Do not install the device near the trunk springs/lid/ gas tank/fuel lines.

Disclaimer

In no event shall Blaupunkt be liable for any direct, indirect, punitive, incidental, special consequential damages to property or life and whatsoever arising out of or connected with the use or misuse of our products.

USA & CANADA: This product is not intended for sale in the United States and Canada. If purchased in the U.S. or Canada, this product is purchased on as-is basis. No warranty, whether expressed or implied is provided in the U.S. or Canada.

The product may differ slightly from the drawings.

Recycling and Disposal

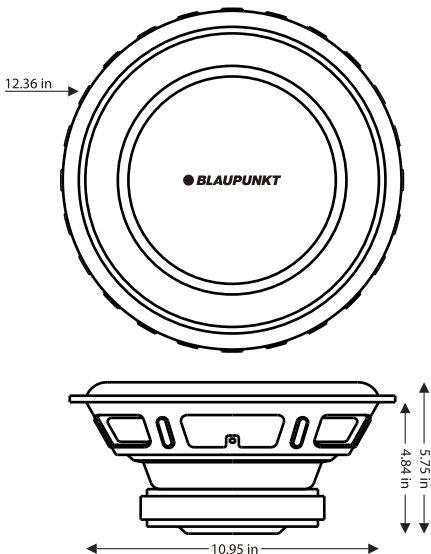


Do not dispose of your old unit in the household trash!

Use the return and collection systems available to dispose of the old device.

This manual may be updated from time to time without any notice. Visit www.blaupunkt.com for more info.

SPECIFICATION

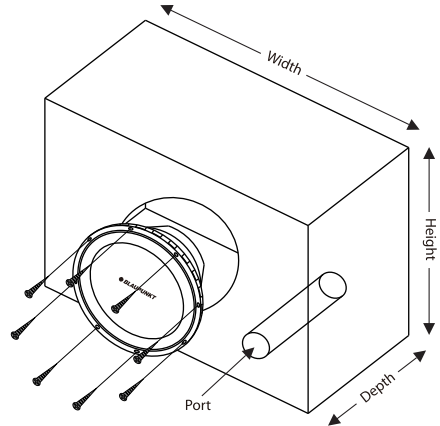
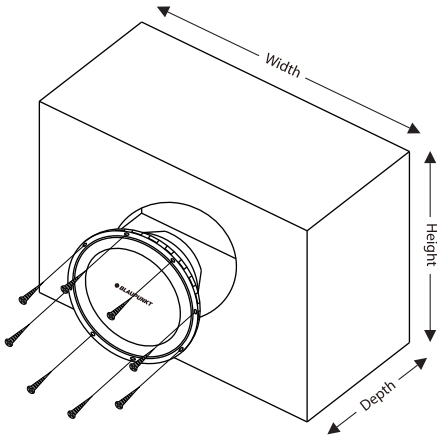


- Nominal Diameter : 12"
- Power Handling (RMS) : 225 watts
- Power Handling (max) : 675 watts
- Impedance : 4ohms
- Sensitivity : 82 dB @ 2.83V/1m
- Frequency Response : 32 - 800 Hz
- Voice Coil Diameter : 49.5mm
- Magnet Weight : 50 Oz
- DC Resistance (Re) : 3.6 Ohms
- Resonant Frequency (Fs) : 37 Hz
- Mechanical Q (Qms) : 2.325
- Electromagnetic Q (Qes) : 1.787
- Total Q (Qts) : 1.01
- Diaphragm Mass Inc. Airload (Mms) : 200g
- Mechanical Compliance of Suspension (Cms) : 87.466u M/N
- Surface Area Of Cone (Sd) : 50.671m m²
- BL Product (BL) : 9.895 Tm
- Compliance Equivalent Volume (Vas) : 31.890m m²
- Maximum Linear Excursion (Xmax) : 10 mm
- Cone / Diaphragm Material : Paper / aluminium
- Surround Material : Rubber
- Voice Coil Wire Material : Copper
- Voice Coil Former : aluminium
- Basket/Frame Material : Steel
- Magnet Material : Ferrite
- Overall Outside Diameter : 12.36"
- Overall Depth : 5.75"
- Baffle Cut-out Diameter : 10.95"
- No. of Mounting Holes : 8
- Mounting Hole Diameter : 11.61"(295mm)
- Size & Weight : 314x314x146mm & 3.63kg

INSTALLATION

SEALED ENCLOSURES - 12"	
V_b - Internal Area cu.ft. (Liter)	1.02 cu.ft. (28.88 L)
F_3 - 3dB Point	42.6 Hz
Q_{tc} - Enclosure Damping	0.9
Height	14 in
Width	18 in
Depth	10 in

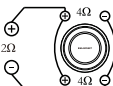
VENTED ENCLOSURES - 12"	
V_b - Internal Area cu.ft. (Liter)	1.79 cu.ft. (50.69 L)
F_b - Tuning Frequency	40 Hz
F_3 - 3dB Point	34.7 Hz
Height	14 in
Width	25 in
Depth	12 in
Port Diameter x Length	4 x 10 in



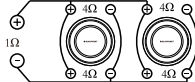
4

WIRING DIAGRAM

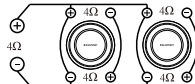
(1) 4 Ohm Speaker = 2 Ohm Load



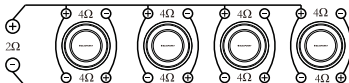
(2) 4 Ohm Speaker = 1 Ohm Load



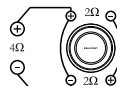
(3) 4 Ohm Speaker = 4 Ohm Load



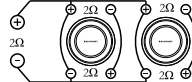
(4) 4 Ohm Speaker = 2 Ohm Load



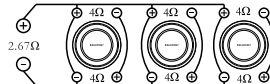
(1) 2 Ohm Speaker = 4 Ohm Load



(2) 2 Ohm Speaker = 2 Ohm Load



(3) 4 Ohm Speaker = 2.67 Ohm Load



(4) 2 Ohm Speaker = 4 Ohm Load



