



GTM652WPRO

## 4-WAY MARINE SPEAKER Instruction Manual



*Enjoy it.*

**BP Americas Corp.**  
9590 NW 40th St. Road  
Doral, FL 33178

[www.blaupunkt.com](http://www.blaupunkt.com)

BLAUPUNKT. All Rights Reserved. This device complies with part 15 of the FCC Rules. Operation is subject to the following two conditions: (1) this device may not cause harmful interference, and (2) this device must accept any interference received, including interference that may cause undesired operation.  
▲ WARNING: Cancer and Reproductive Harm - [www.P65Warnings.ca.gov](http://www.P65Warnings.ca.gov)

### Troubleshooting:

If you start having problems with distorted sound or loss performance after installing your subs, you can follow the instructions below to try and locate what is causing the problem.

- 1). If you have any distorted sound, loss of performance, or rattling from your subs, check the connections running from your amplifier or other processors to the box. You will also want to check the connections inside the box to make sure no wires have become unhooked or are loose.
- 2). If the above does not solve the problem, check your enclosure thoroughly to see if there are any leaks, cracks, or broken pieces. Any loss of structural integrity of your enclosure can cause significant performance loss and distortion.
- 3). The next step you can take is to remove the subs and look for any burned wire leads or separated components. You can normally smell something burning when a sub blows or is going bad. Sometimes when you play subs to hard for too long, they will start to heat up.
- 4). If none of the above steps solve the problem, you will want to start looking at the other components in the vehicle. Start by checking all connections to and from the box, amplifier, source unit, or any other processors you may be using. You will need to reference to that particular manufacturer for any setting configurations or troubleshooting.

### Warning:

Investigate the layout of your automobile thoroughly before drill or cutting any holes. Take care when you work near the gas tanks, gas lines, hydraulic lines, and electrical wiring. Attach the system securely to the automobile to prevent damage, particularly in the event of an accident. Do not mount the system so that the wire connections are unprotected or are subject to pinching or damage from nearby objects.

The +12V DC power wire must be fused at the battery positive terminal connection. Before making or breaking power connections at the system power terminals, disconnect the +12V wire at the battery end. Confirm your radio/head unit or other equipment is turned off while connecting the input jacks and subwoofer terminals.

If you need to replace the power fuse, replace it only with a fuse identical to that supplied with the system. Using a fuse of different type or rating may result in damage to this system.

## GTM652WPRO MARINE SPEAKER INSTRUCTION MANUAL

Dear Customer,

Congratulations on your purchase of an BLAUPUNKT speaker, we are devoted to making our musical reproduction the very best, and we are pleased you have chosen our product. Through years of engineering expertise, hand craftsmanship, and critical testing procedures, we have created a wide range of products that reproduce music with all the clarity and richness you deserve.

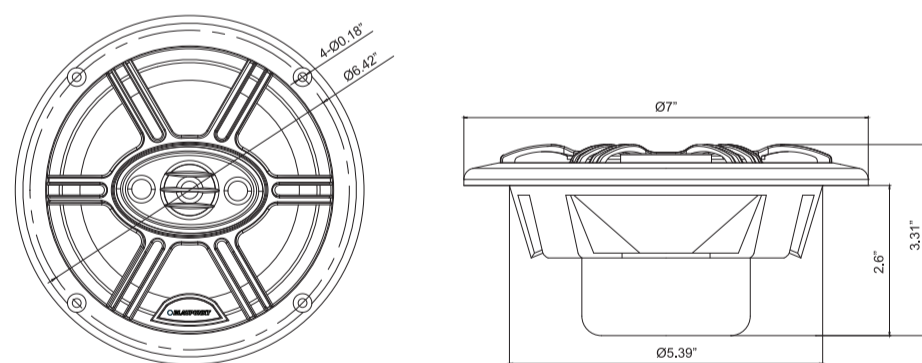
For maximum performance we recommend you have your BLAUPUNKT product installed by an authorized BLAUPUNKT dealer, as they have the knowledge, skills that will maximize the performance of your speaker. Please read this manual, keep your receipt, and original carton for possible future use.

If after reading this manual, you still have questions regarding your product, we recommend that you see your nearest BLAUPUNKT dealer,

#### WARNING

Continuous, excessive exposure to sound pressure levels in excess of 85dB can cause hearing loss. While BLAUPUNKT sound systems are capable of producing sound pressure levels greater than 85dB, they are also designed for enjoyment at reasonable levels. Please observe all local sound ordinances while listening to your BLAUPUNKT sound system.  
Need we say more! Use common sense.

### Dimension:



### Features:

- ABS Basket and grille
- High Quality Polypropylene Cone
- Butyl Surround
- High Temperature Aluminium Voice Coil
- Ceramic Magnet
- Mylar Dome Tweeter

### Specifications:

Model	GTM652WPRO
Size	6.5" 4-way
Impedance	4 Ohms
Frequency Response	80Hz ~ 20KHz
SPL (dB-1W/1M)	90dB
Power Rating (RMS)	80Watts
Power Rating (Peak)	200Watts
Voice Coil	1"
Magnet Weight	8oz